

CONTENTS

CHANNEL NUTS	-	PAGE 4
PIPE CLAMPS	-	PAGE 7
FLAT FITTINGS	-	PAGE 12
90° FITTINGS	-	PAGE 15
ANGLE FITTINGS	-	PAGE 18
U SHAPE FITTINGS	-	PAGE 20
Z SHAPE FITTINGS	-	PAGE 23
WING FITTINGS	-	PAGE 24
POST BASES	-	PAGE 28
BRACES & BRACKETS	-	PAGE 30
MISCELLANEOUS HARDWARE	-	PAGE 35
BEAM CLAMPS	-	PAGE 42
THREADED ROD	-	PAGE 46
U-BOLTS	-	PAGE 47
INDEX	-	PAGE 49

V.10.11

EUGENE FASTENER & SUPPLY CO.
595 WILSON STREET
EUGENE, OR 97402



PHONE: 541-342-5978
TOLL FREE: 800-929-5978
FAX: 541-342-1385

THIS PAGE INTENTIONALLY LEFT BLANK





EUGENE FASTENER & SUPPLY CO.
595 WILSON STREET
EUGENE, OR 97402

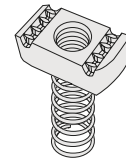
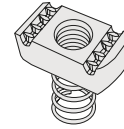
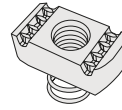
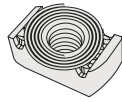
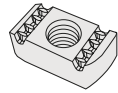


PHONE: 541-342-5978
TOLL FREE: 800-929-5978
FAX: 541-342-1385

10.11

CHANNEL NUTS

STANDARD FINISH: E/G
ALSO AVAILABLE: HDG



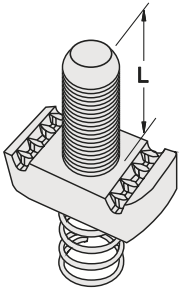
SIZE	THICK	NO SPRING ALL CHANNEL 100 PCS/CTN	TOP SPRING ALL CHANNEL 100 PCS/CTN	SHORT SPRING 13/16 CHANNEL 100 PCS/CTN	REGULAR SPRING 1-5/8 CHANNEL 100 PCS/CTN	LONG SPRING 3-1/4 DEEP CHANNEL 50 PCS/CTN
8-32	1/4	4162	4142	4130	4115	4101
10-32	1/4	4163	4143	4131	4116	4102
10-24	1/4	4164	4144	4132	4117	4103
1/4-20	1/4	4165	4145	4133	4118	4104
5/16-18	3/8	4166	4146	4134	4119	4105
5/16-18	1/4	4167	-	4135	4120	-
3/8-16	3/8	4168	4147	4136	4121	4106
3/8-16	1/4	4169	4148	4137	4122	4107
7/16-14	3/8	4170	-	4138	4123	4108
1/2-13	1/2	4171	4149	-	4124	4109
1/2-13	3/8	4172	4150	4139	4125	4110
5/8-11	7/16	4173	-	-	4126	4111
5/8-11	3/8	4174	-	4140	-	-
3/4-10	7/16	4175	-	-	4127	4112
7/8-9	7/16	4176	-	-	4128	-
M6-1	1/4	4208	-	4202	4195	4190
M8-1.25	1/4	4209	-	4203	4196	4191
M10-1.5	3/8	4210	-	4204	4197	4192
M12-1.75	3/8	4211	-	4205	4198	4193
M12-1.75	1/2	4212	-	-	4199	-

316 STAINLESS STEEL

1/4-20	1/4	4165S2	-	4133S2	4118S2	-
1/4-20	3/8	4165S2	-	4133S2	4118S2	4104S2
5/16-18	3/8	4166S2	-	4134S2	4119S2	-
3/8-16	3/8	4168S2	-	4136S2	4121S2	4106S2
1/2-13	3/8	4172S2	-	4139S2	4125S2	-
1/2-13	1/2	4171S2	-	-	4124S2	4109S2
5/8-11	1/2	4173S2	-	-	4126S2	-
3/4-10	1/2	4175S2	-	-	4127S2	-
7/8-9	1/2	4176S2	-	-	4128S2	-

CHANNEL NUTS

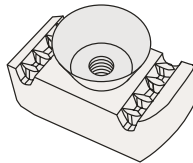
REGULAR SPRING CHANNEL NUTS W/ STUD



SIZE	NUT THICKNESS	STUD LENGTH	PART #	QTY./CTN	WGT./100
1/4-20	1/4"	1	423416	50	7
		1-1/4	423420	50	8
		1-1/2	423424	50	8
3/8-16	3/8"	1	423516	50	11
		1-1/4	423520	50	12
		1-1/2	423524	50	13
1/2-13	1/2"	1	423616	50	17
		1-1/4	423620	50	18
		1-1/2	423624	50	19

EZ NUTS

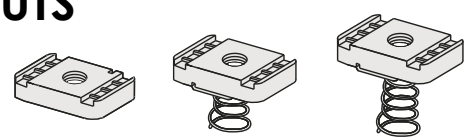
FOR ALL CHANNEL



SIZE	NUT THICKNESS	PART #	QTY./CTN.	WGT./100
1/4	3/8"	4145EZ	100	9
3/8	3/8"	4147EZ	100	9
1/2	3/8"	4149EZ	100	8

MINI NUTS

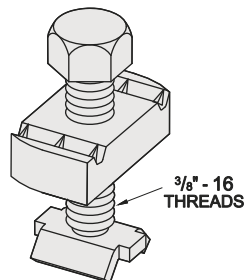
FOR JUNIOR CHANNEL



SIZE	NO SPRING 200 PCS/CTN	SHORT SPRING 200 PCS/CTN	LONG SPRING 200 PCS/CTN
8-32	-	4184	4180
10-32	41872	4185	4181
10-24	41874	4186	4182
1/4-20	4188	4187	4183

SEISMIC ROD STIFFENER

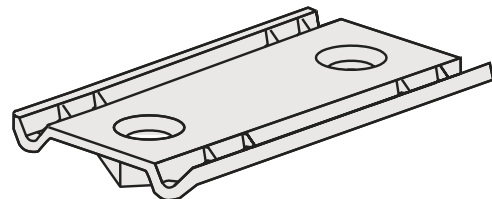
FOR 3/8" - 5/8" THREADED ROD



4930

100/CTN
16 LBS/100

3/8" DOUBLE CONVEYOR ADJUSTING NUT



4857

50/CTN
17 LBS/100

TECHNICAL DATA

OUTSIDE DIAMETER OF ELECTRICAL CONDUIT/STEEL PIPE						
SIZE	EMT		IMC		RIGID/STEEL PIPE	
	DECIMAL	FRACTION	DECIMAL	FRACTION	DECIMAL	FRACTION
1/2	0.706	11/16	0.815	13/16	0.840	13/16
3/4	0.922	15/16	1.029	1	1.050	1-1/16
1	1.163	1-3/16	1.290	1-5/16	1.315	1-5/16
1-1/4	1.510	1-1/2	1.638	1-5/8	1.660	1-11/16
1-1/2	1.740	1-3/4	1.883	1-7/8	1.900	1-7/8
2	2.197	2-3/16	2.360	2-3/8	2.375	2-3/8
2-1/2	2.875	2-7/8	2.857	2-7/8	2.875	2-7/8
3	3.500	3-1/2	3.476	3-1/2	3.500	3-1/2
3-1/2	4.000	4	3.971	4	4.000	4
4	4.500	4-1/2	4.466	4-7/16	4.500	4-1/2
5	-	-	-	-	5.563	5-9/16

TIP:

“Universal clamps can be used with both EMT and RIGID pipe - BUT - for the best possible fit, specify either EMT or RIGID sizes.”

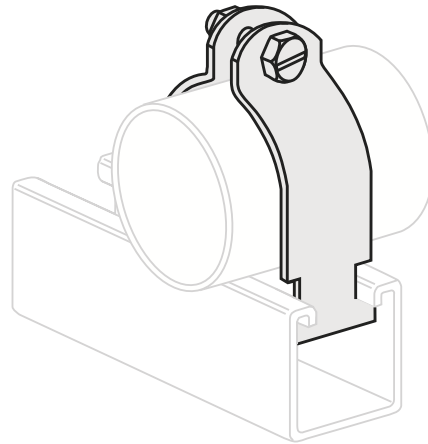


OUTSIDE DIAMETER OF COPPER TUBE		
NOMINAL SIZE	TYPE M, L, K	
	DECIMAL	FRACTION
1/4"	0.375	3/8
3/8"	0.500	1/2
1/2"	0.625	5/8
3/4"	0.875	7/8
1"	1.125	1-1/8
1-1/4"	1.375	1-3/8
1-1/2"	1.625	1-5/8
2"	2.125	2-1/8
2-1/2"	2.625	2-5/8
3"	3.125	3-1/8
3-1/2"	3.625	3-5/8
4"	4.125	4-1/8
5"	5.125	5-1/8
6"	6.125	6-1/8
8"	8.125	8-1/8

PIPE CLAMPS

PIPE CLAMPS - ASSEMBLED

- UNIVERSAL
- EMT
- RIGID



PIPE SIZE	CTN. QTY.	WGT./100	UNIVERSAL	EMT	RIGID	
1/2	100	10	4301	4311	4322	
3/4	100	12	4302	4312	4323	
1	100	14	4303	4313	4324	
1-1/4	100	17	4304	4314	4325	
1-1/2	50	26	4305	4315	4326	
2	50	29	4306	4316	4327	
2-1/2	50	36	USE RIGID SIZES			4328
3	50	40				4329
3-1/2	25	57				4330
4	25	61				4331
5	25	73				4332
6	25	83				4333
7	25	115				4334
8	25	128				4335
10	25	143				4336
12	25	174				4337

STANDARD FINISH - EG ALSO AVAILABLE: STAINLESS STEEL & ALUMINUM

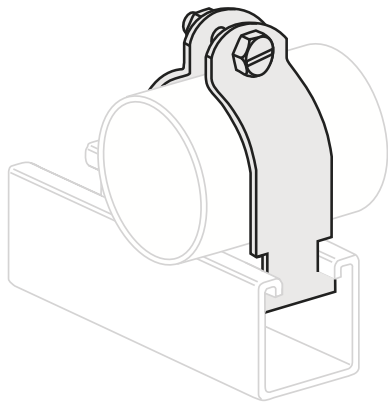
10.11

EUGENE FASTENER & SUPPLY CO.
595 WILSON STREET
EUGENE, OR 97402



PHONE: 541-342-5978
TOLL FREE: 800-929-5978
FAX: 541-342-1385

OD PIPE CLAMPS



O.D. SIZE	PART #	QTY./CTN.	WGT. /100
1/4	4340	100	7
3/8	4341	100	8
1/2	4342	100	8
5/8	4343	100	9
3/4	4344	100	10
7/8	4345	100	11
1	4346	100	12
1-1/8	4347	100	14
1-1/4	4348	100	15
1-3/8	4349	100	16
1-1/2	4350	100	17
1-5/8	4351	50	18
1-3/4	4352	50	26
1-7/8	4353	50	28
2	4354	50	29
2-1/8	4355	50	29
2-1/4	4356	50	32
2-3/8	4357	50	32
2-1/2	4358	50	33
2-5/8	4359	50	34
2-3/4	4360	50	35
2-7/8	4361	50	36
3	4362	50	37
3-1/8	4363	50	38
3-1/4	4364	50	40
3-3/8	4365	50	42
3-1/2	4366	50	45
3-5/8	4367	25	54
3-3/4	4368	25	56
3-7/8	4369	25	57
4	4370	25	58
4-1/8	4371	25	60
4-1/4	4372	25	61
4-3/8	4373	25	62
4-1/2	4374	25	63

STANDARD FINISH - EG ALSO AVAILABLE: STAINLESS STEEL & ALUMINUM

10.11

OD PIPE CLAMPS

O.D. SIZE	PART #	QTY./CTN.	WGT. /100
4-5/8	4375	25	64
4-3/4	4376	25	65
4-7/8	4377	25	66
5	4378	25	67
5-1/8	4379	25	69
5-1/4	4380	25	70
5-3/8	4381	25	74
5-1/2	4382	25	76
5-5/8	4383	25	83
5-3/4	4384	25	87
5-7/8	4385	25	88
6	4386	25	90
6-1/8	4387	25	91
6-1/4	4388	25	92
6-3/8	4389	25	93
6-1/2	4390	25	94
6-5/8	4391	25	96
6-3/4	4392	25	97
6-7/8	4393	25	98
7	4394	25	101
7-1/8	4395	25	103
7-1/4	4396	25	104
7-3/8	4397	25	105
7-1/2	4398	25	106
7-5/8	4399	25	107
7-3/4	4400	25	111
7-7/8	4401	25	112
8	4402	25	113
8-1/8	4403	25	114
8-1/4	4404	25	115
8-3/8	4405	25	116
8-1/2	4406	25	117
8-5/8	4407	25	118

O.D. SIZE	PART #	QTY./CTN.	WGT. /100
8-3/4	440701	25	119
8-7/8	440702	25	120
9	440703	25	121
9-1/8	440704	25	123
9-1/4	440705	25	124
9-3/8	440706	25	126
9-1/2	440707	25	128
9-5/8	440708	25	131
9-3/4	440709	25	132
9-7/8	440710	25	135
10	440711	25	136
10-1/8	440712	25	137
10-1/4	440713	25	138
10-3/8	440714	25	140
10-1/2	440715	25	143
10-5/8	440716	25	145
10-3/4	4408	25	146
10-7/8	440801	25	146
11	440802	25	146
11-1/8	440803	25	148
11-1/4	440804	25	150
11-3/8	440805	25	151
11-1/2	440806	25	153
11-5/8	440807	25	154
11-3/4	440808	25	156
11-7/8	440809	25	157
12	440810	25	158
12-1/8	440811	25	160
12-1/4	440812	25	161
12-3/8	440813	25	162
12-1/2	440814	25	164
12-5/8	440815	25	165
12-3/4	4409	25	174

STANDARD FINISH - EG ALSO AVAILABLE: STAINLESS STEEL & ALUMINUM

EUGENE FASTENER & SUPPLY CO.
595 WILSON STREET
EUGENE, OR 97402

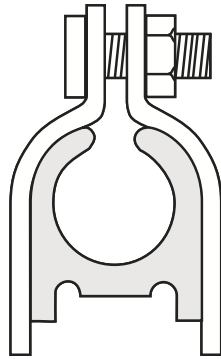


PHONE: 541-342-5978
TOLL FREE: 800-929-5978
FAX: 541-342-1385

10.11

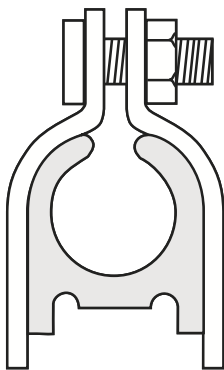
PIPE CLAMPS

CUSHION CLAMPS FOR PIPE



PIPE SIZE	PART #	QTY./CTN.	WGT. /100
1/4	4411	25	12
3/8	4412	25	13
1/2	4413	25	20
3/4	4414	25	29
1	4415	25	40
1-1/4	4416	10	45
1-1/2	4417	10	49
2	4418	10	56
2-1/2	4419	10	73
3	4420	5	77
3-1/2	4421	5	97
4	4422	5	110
5	4423	5	130
6	4424	5	140

CUSHION CLAMPS FOR O.D.



O.D. SIZE	PART #	QTY. CTN.	WGT. /100
1/4	4430	25	13
5/16	4431	25	13
3/8	4432	25	14
1/2	4434	25	15
5/8	4435	25	16
3/4	4436	25	19
7/8	4437	25	20
1	4438	25	27
1-1/8	4439	25	31
1-1/4	4441	10	34
1-3/8	4442	10	38
1-1/2	4443	10	39
1-5/8	4444	10	43

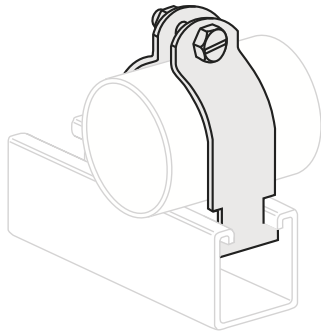
O.D. SIZE	PART #	QTY. CTN.	WGT. /100
1-3/4	4445	10	43
1-7/8	4446	10	41
2	4447	10	48
2-1/8	4448	10	57
2-1/4	4449	10	60
2-3/8	4450	10	56
2-1/2	4451	10	53
2-5/8	4452	10	53
3	4453	5	65
3-1/8	4454	5	63
3-5/8	4455	5	78
4-1/8	4456	5	90
6-1/8	4458	5	170

STANDARD FINISH - YELLOW ZINC

PIPE CLAMPS

COPPER TUBE CLAMPS

COPPER PLATED

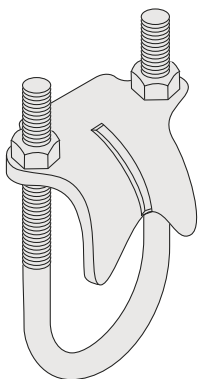


COPPER TUBE SIZE	O.D. SIZE	PART #	QTY./ CTN.	WGT./ 100
1/4"	3/8"	4481	100	8
3/8"	1/2"	4482	100	8
1/2"	5/8"	4483	100	10
3/4"	7/8"	4484	100	11
1"	1-1/8"	4485	100	15
1-1/4"	1-3/8"	4486	100	17
1-1/2"	1-5/8"	4487	50	18
2"	2-1/8"	4488	50	32
2-1/2"	2-5/8"	4489	50	35
3"	3-1/8"	4490	50	39
3-1/2"	3-5/8"	4491	25	54
4"	4-1/8"	4492	25	61
5"	5-1/8"	4493	25	69
6"	6-1/8"	4494	25	91
8"	8-1/8"	4495	25	114

RIGHT ANGLE CLAMPS

AVAILABLE IN:

- HDG
- 316 STAINLESS STEEL

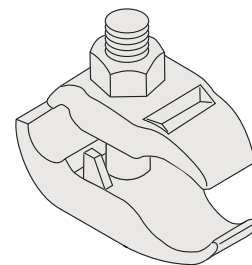


PIPE SIZE	HDG PART #	QTY./ CTN.	WGT./ 100
1/2"	5780-904	25	41.00
3/4"	5780-906	25	42.00
1"	5780-910	25	47.00
1-1/4"	5780-912	25	54.00
1-1/2"	5780-914	25	57.00
2"	5780-920	10	85.00
2-1/2"	5780-924	10	106.00
3"	5780-930	5	110.00
3-1/2"	5780-934	5	128.00
4"	5780-940	5	140.00

PARALLEL CLAMPS

AVAILABLE IN:

- HDG
- 316 STAINLESS STEEL



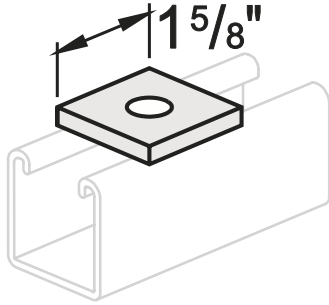
PIPE SIZE	HDG PART #	QTY. CTN.	WGT./ 100
3/4"	5781-906	10	64
1"	5781-910	10	70

FLAT

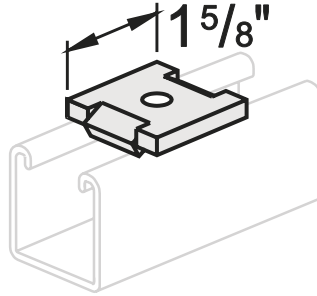
CHANNEL FITTINGS

SQUARE WASHERS

FLAT



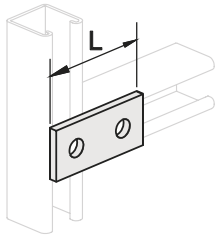
W/ GUIDES



100/CTN
16 LBS/100

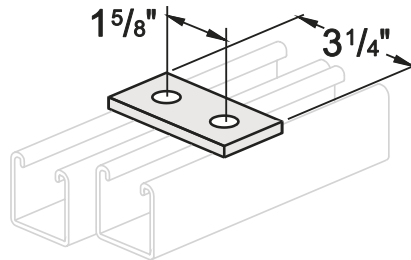
SIZE	FLAT P/N	W/ GUIDES P/N
1/4	4600	4606
3/8	4601	4607
1/2	4602	4608
5/8	4603	4609
3/4	4604	4610
7/8	4605	-

2 HOLE SPLICE



P/N	L	CTN. QTY.	LBS/100
4612	3-1/2"	50	33
4615	4-5/8"	50	50

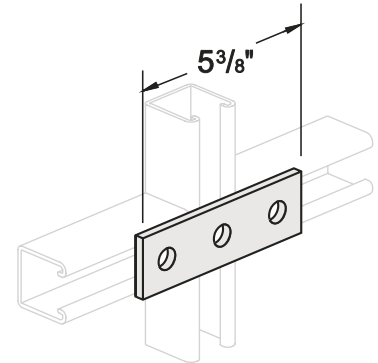
2 HOLE SPLICE



4614

50/CTN
31 LBS/100

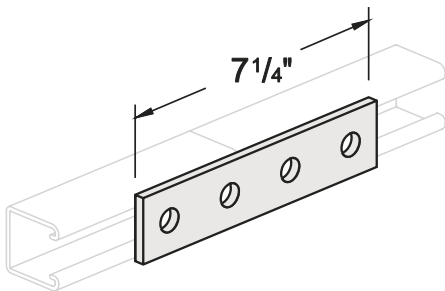
3 HOLE SPLICE



4616

50/CTN
58 LBS/100

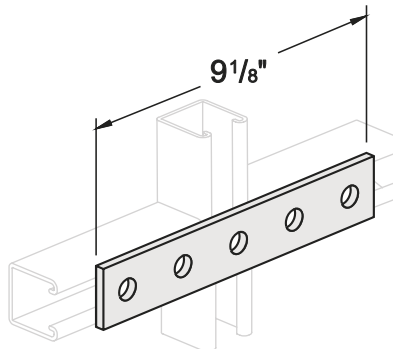
4 HOLE SPLICE



4617

25/CTN
69 LBS/100

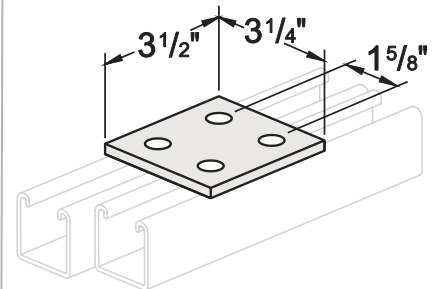
5 HOLE SPLICE



4618

25/CTN
95 LBS/100

4 HOLE SQUARE SPLICE



4624

25/CTN
74 LBS/100

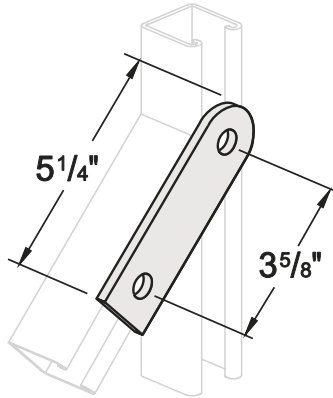
UNLESS SPECIFIED, MATERIAL IS 1-5/8" WIDE. HOLES ARE 9/16" DIAMETER, 13/16" CENTER TO EDGE, & SPACED 1-7/8" ON CENTER. STANDARD FINISH - EG ALSO AVAILABLE: STAINLESS STEEL & HOT DIPPED GALVANIZED

10.11

FLAT

CHANNEL FITTINGS

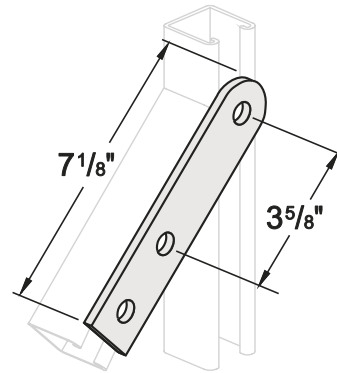
2 HOLE FLAT SWIVEL



4619

25/CTN
49 LBS/100

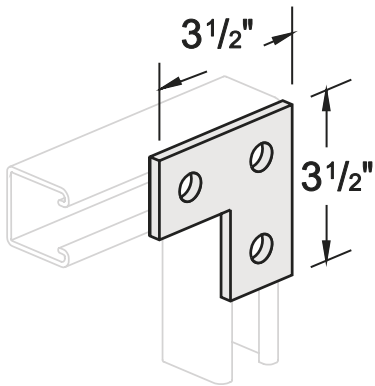
3 HOLE FLAT SWIVEL



4620

25/CTN
76 LBS/100

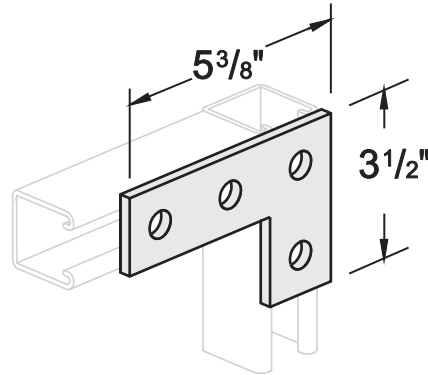
3 HOLE FLAT CORNER



4621

50/CTN
50 LBS/100

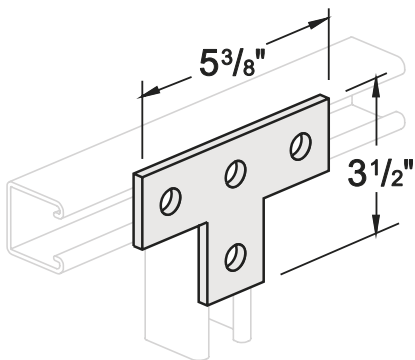
4 HOLE FLAT CORNER



4625

20/CTN
69 LBS/100

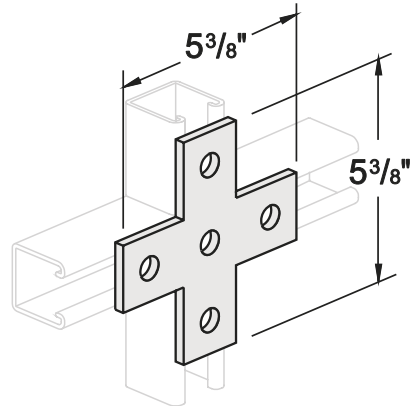
4 HOLE FLAT TEE



4627

25/CTN
66 LBS/100

5 HOLE FLAT CROSS



4628

25/CTN
90 LBS/100

UNLESS SPECIFIED, MATERIAL IS 1-5/8" WIDE. HOLES ARE 9/16" DIAMETER, 13/16" CENTER TO EDGE, & SPACED 1-7/8" ON CENTER.
STANDARD FINISH - EG ALSO AVAILABLE: STAINLESS STEEL & HOT DIPPED GALVANIZED

10.11

EUGENE FASTENER & SUPPLY CO.
595 WILSON STREET
EUGENE, OR 97402



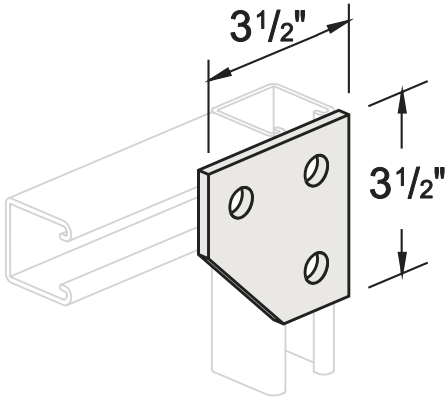
PHONE: 541-342-5978
TOLL FREE: 800-929-5978
FAX: 541-342-1385

13

FLAT

CHANNEL FITTINGS

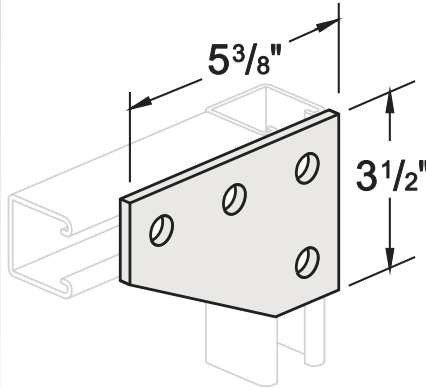
3 HOLE FLAT CORNER



4622

25/CTN
70 LBS/100

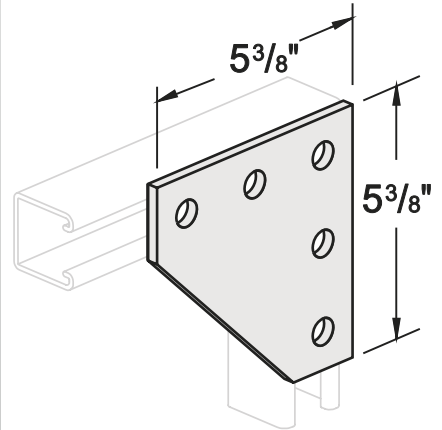
4 HOLE FLAT CORNER



4626

25/CTN
92 LBS/100

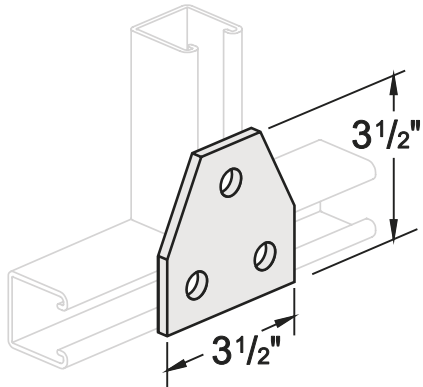
5 HOLE FLAT CORNER



4631

10/CTN
135 LBS/100

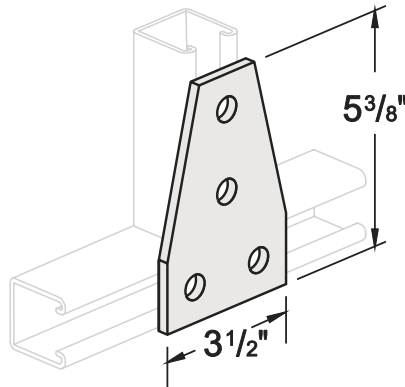
3 HOLE FLAT TEE



4623

50/CTN
70 LBS/100

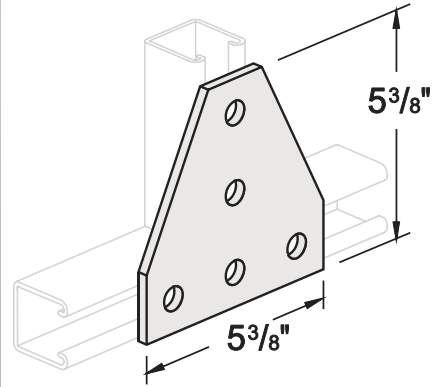
4 HOLE FLAT TEE



4629

25/CTN
93 LBS/100

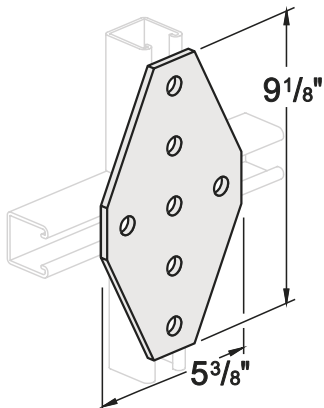
5 HOLE FLAT TEE



4630

25/CTN
143 LBS/100

7 HOLE FLAT CROSS



4633

10/CTN
240 LBS/100



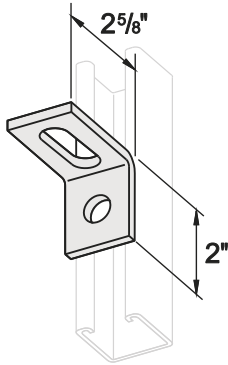
UNLESS SPECIFIED, MATERIAL IS 1-5/8" WIDE. HOLES ARE 9/16" DIAMETER, 13/16" CENTER TO EDGE, & SPACED 1-7/8" ON CENTER. STANDARD FINISH - EG ALSO AVAILABLE: STAINLESS STEEL & HOT DIPPED GALVANIZED

10.11

90 DEGREE

CHANNEL FITTINGS

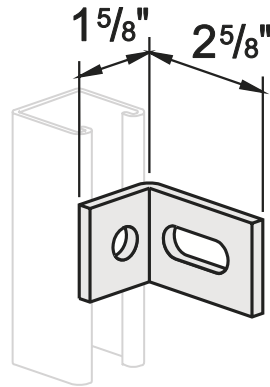
1 HOLE ADJUSTABLE CORNER ANGLE



4645

25/CTN
42 LBS/100

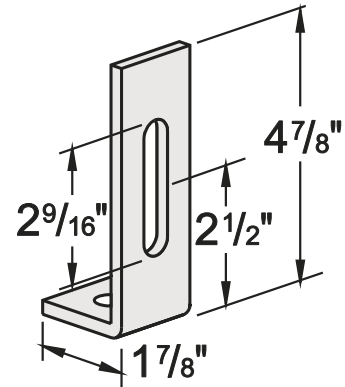
1 HOLE ADJUSTABLE CORNER ANGLE



4646

50/CTN
38 LBS/100

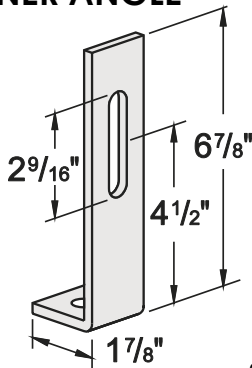
1 HOLE ADJUSTABLE CORNER ANGLE



4647

25/CTN
59 LBS/100

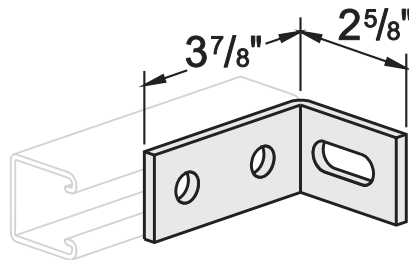
1 HOLE ADJUSTABLE CORNER ANGLE



4648

25/CTN
81 LBS/100

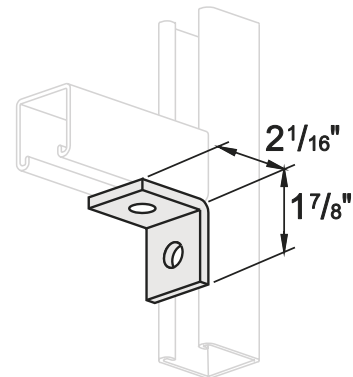
2 HOLE ADJUSTABLE CORNER ANGLE



4652

25/CTN
63 LBS/100

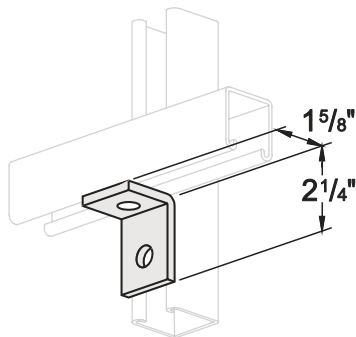
2 HOLE END ANGLE



4641

50/CTN
35 LBS/100

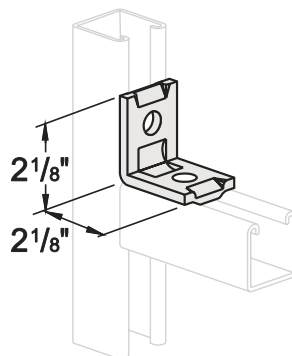
2 HOLE CORNER ANGLE



4642

25/CTN
33 LBS/100

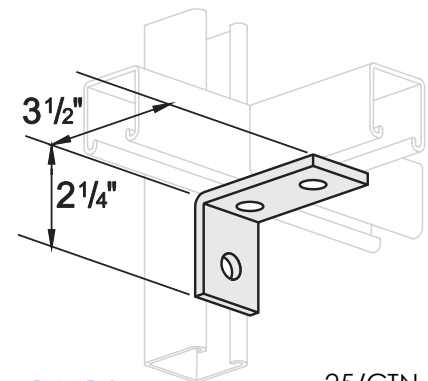
2 HOLE END ANGLE W/GUIDES



4643

50/CTN
37 LBS/100

3 HOLE CORNER ANGLE



4649

25/CTN
50 LBS/100

UNLESS SPECIFIED, MATERIAL IS 1-5/8" WIDE. HOLES ARE 9/16" DIAMETER, 13/16" CENTER TO EDGE, & SPACED 1-7/8" ON CENTER. STANDARD FINISH - EG ALSO AVAILABLE: STAINLESS STEEL & HOT DIPPED GALVANIZED

10.11

EUGENE FASTENER & SUPPLY CO.
595 WILSON STREET
EUGENE, OR 97402



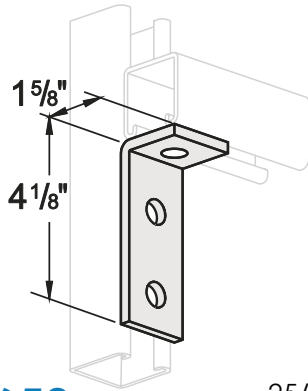
PHONE: 541-342-5978
TOLL FREE: 800-929-5978
FAX: 541-342-1385

15

90 DEGREE

CHANNEL FITTINGS

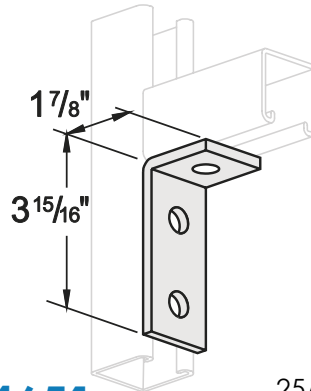
3 HOLE CORNER ANGLE



4650

25/CTN
50 LBS/100

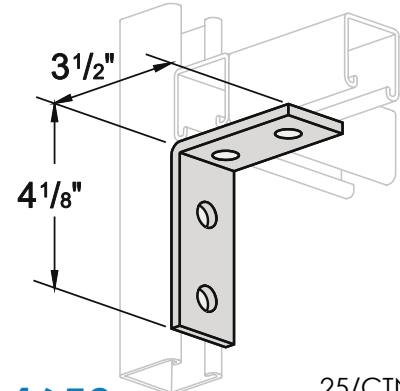
3 HOLE CORNER ANGLE



4651

25/CTN
51 LBS/100

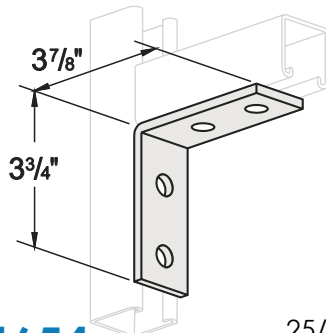
4 HOLE CORNER ANGLE



4653

25/CTN
69 LBS/100

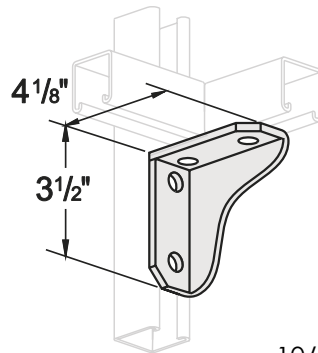
4 HOLE CORNER ANGLE



4654

25/CTN
68 LBS/100

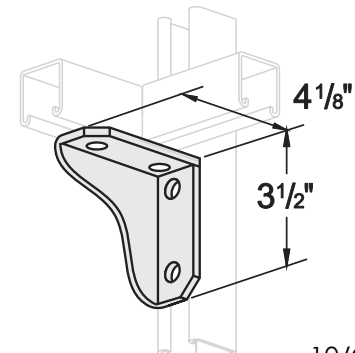
4 HOLE R. H. GUSSET



4655R

10/CTN
114 LBS/100

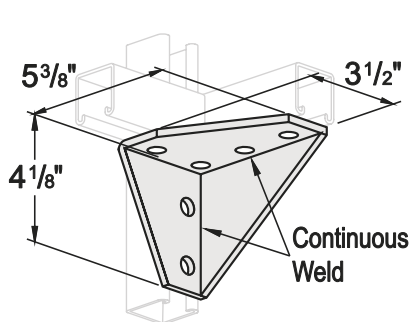
4 HOLE L. H. GUSSET



4655L

10/CTN
114 LBS/100

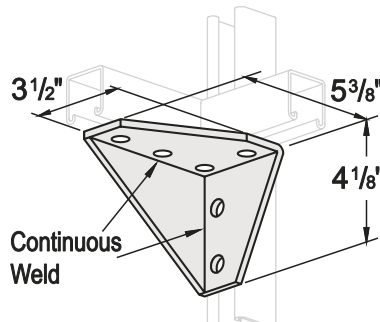
6 HOLE R. H. GUSSETED ANGLE CONNECTOR



4665R

10/CTN
236 LBS/100

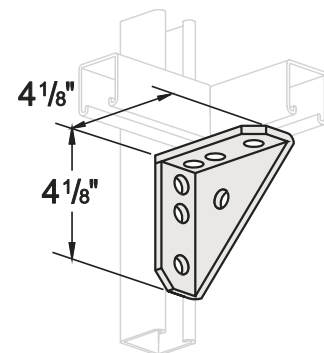
6 HOLE L. H. GUSSETED ANGLE CONNECTOR



4665L

10/CTN
236 LBS/100

7 HOLE UNIVERSAL CORNER ANGLE



4657

10/CTN
127 LBS/100

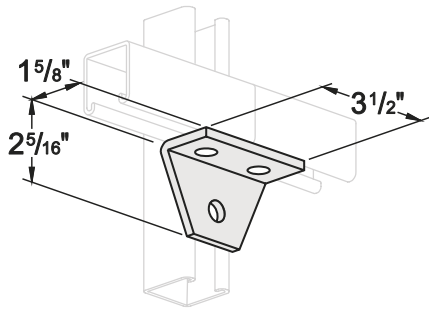
UNLESS SPECIFIED, MATERIAL IS 1-5/8" WIDE. HOLES ARE 9/16" DIAMETER, 13/16" CENTER TO EDGE, & SPACED 1-7/8" ON CENTER. STANDARD FINISH - EG ALSO AVAILABLE: STAINLESS STEEL & HOT DIPPED GALVANIZED

10.11

90 DEGREE

CHANNEL FITTINGS

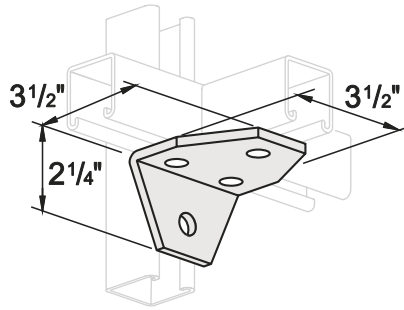
3 HOLE SHELF ANGLE



4658

25/CTN
70 LBS/100

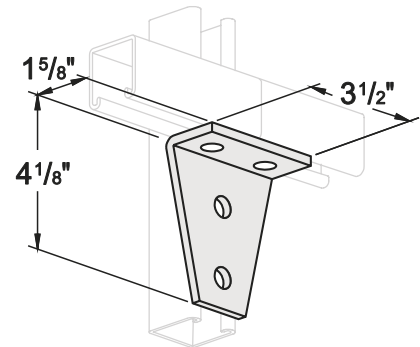
4 HOLE SHELF ANGLE



4659

25/CTN
100 LBS/100

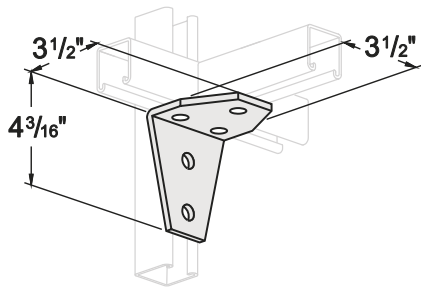
4 HOLE SHELF ANGLE



4660

25/CTN
105 LBS/100

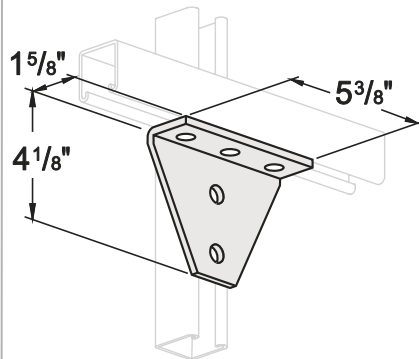
5 HOLE SHELF ANGLE



4661

10/CTN
135 LBS/100

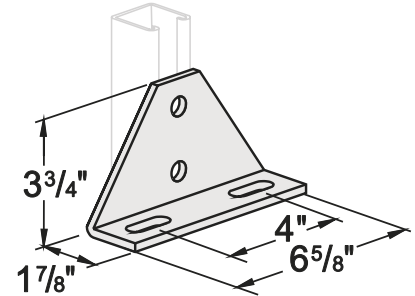
5 HOLE SHELF ANGLE



4662

10/CTN
155 LBS/100

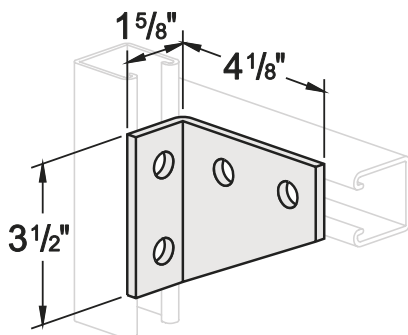
2 HOLE 2 SLOT ADJ. SUPPORT ANGLE



4663

10/CTN
171 LBS/100

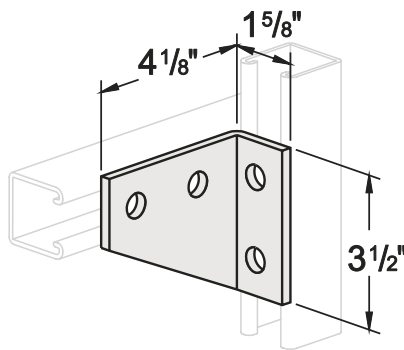
4 HOLE L. H. ANGLE



4666L

10/CTN
105 LBS/100

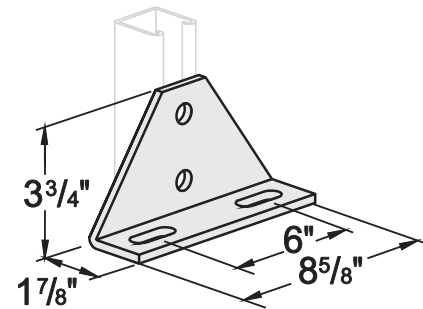
4 HOLE R. H. ANGLE



4666R

10/CTN
105 LBS/100

2 HOLE 2 SLOT ADJ. SUPPORT ANGLE



4664

10/CTN
200 LBS/100

UNLESS SPECIFIED, MATERIAL IS 1-5/8" WIDE. HOLES ARE 9/16" DIAMETER, 13/16" CENTER TO EDGE, & SPACED 1-7/8" ON CENTER. STANDARD FINISH - EG ALSO AVAILABLE: STAINLESS STEEL & HOT DIPPED GALVANIZED

10.11

EUGENE FASTENER & SUPPLY CO.
595 WILSON STREET
EUGENE, OR 97402

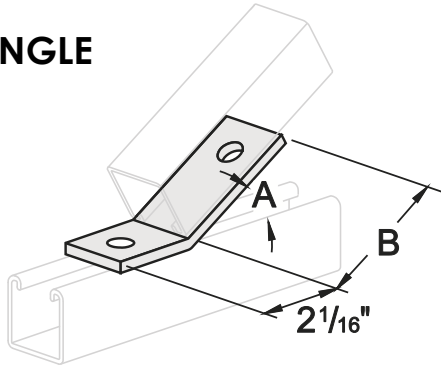


PHONE: 541-342-5978
TOLL FREE: 800-929-5978
FAX: 541-342-1385

ANGLE

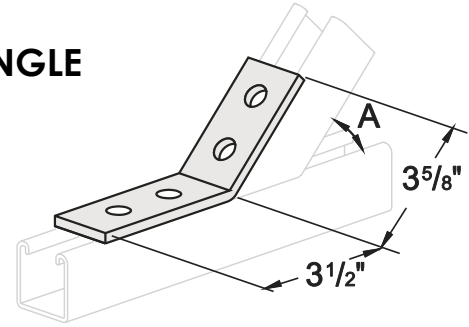
CHANNEL FITTINGS

2 HOLE OPEN ANGLE



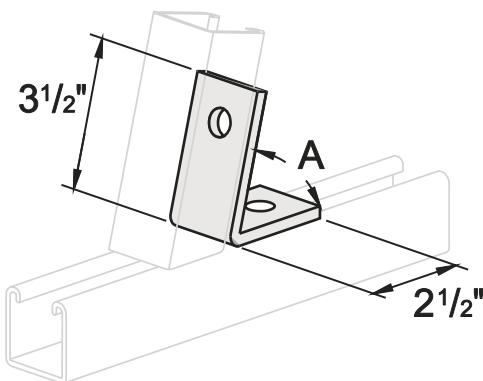
P/N	A	B	CTN. QTY.	LBS/100
467615	15°	3-5/16"	25	54
467630	30°	3-5/16"		
467645	45°	3-1/4"		
467660	60°	3-1/4"		

4 HOLE OPEN ANGLE



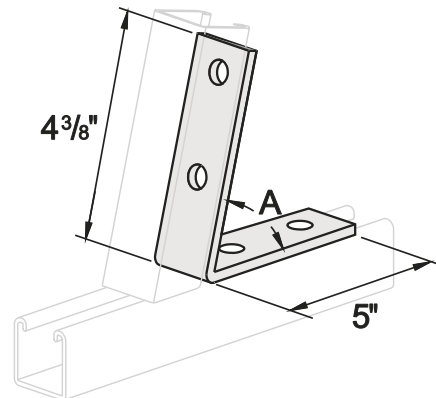
P/N	A	CTN. QTY.	LBS/100
467915	15°	25	70
467930	30°		
467945	45°		
467960	60°		
467967	67°		
467975	75°		

2 HOLE CLOSED ANGLE



P/N	A	CTN. QTY.	LBS/100
467745	45°	25	53
467760	60°		

4 HOLE CLOSED ANGLE



P/N	A	CTN. QTY.	LBS/100
467845	45°	20	88
467860	60°		

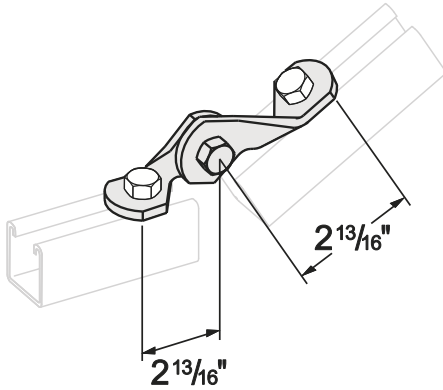
UNLESS SPECIFIED, MATERIAL IS 1-5/8" WIDE. HOLES ARE 9/16" DIAMETER, 13/16" CENTER TO EDGE, & SPACED 1-7/8" ON CENTER. STANDARD FINISH - EG ALSO AVAILABLE: STAINLESS STEEL & HOT DIPPED GALVANIZED

10.11

ANGLE

CHANNEL FITTINGS

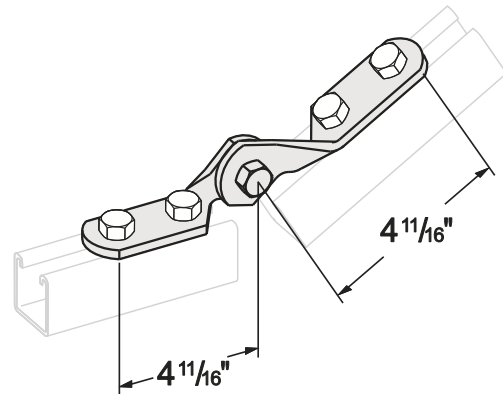
2 HOLE ADJUSTABLE HINGE



4681

10/CTN
89 LBS/100

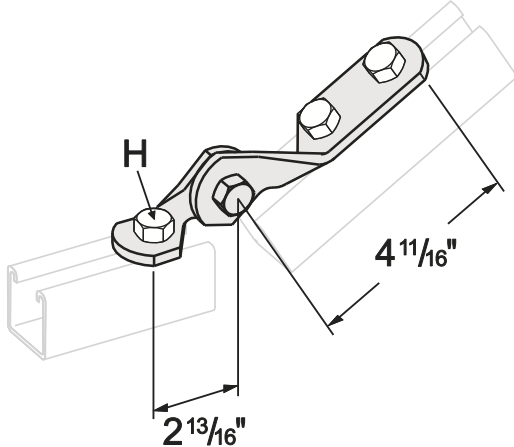
4 HOLE ADJUSTABLE HINGE



4683

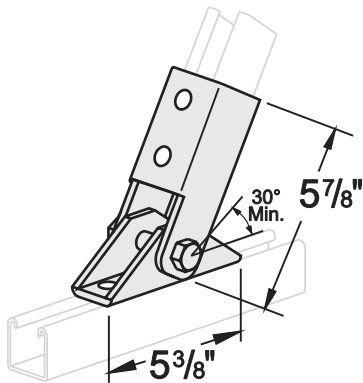
10/CTN
120 LBS/100

3 HOLE ADJUSTABLE HINGE



P/N	H	CTN. QTY.	LBS/100
46823	3/8"	10	106
46824	1/2"		104
46825	5/8"		102
46826	3/4"		100

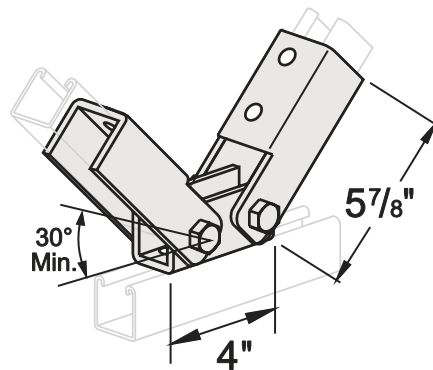
ADJ. SINGLE CHANNEL BRACE



4684

5/CTN
250 LBS/100

ADJ. DOUBLE CHANNEL BRACE



4685

5/CTN
500 LBS/100

UNLESS SPECIFIED, MATERIAL IS 1-5/8" WIDE. HOLES ARE 9/16" DIAMETER, 13/16" CENTER TO EDGE, & SPACED 1-7/8" ON CENTER. STANDARD FINISH - EG ALSO AVAILABLE: STAINLESS STEEL & HOT DIPPED GALVANIZED

10.11

EUGENE FASTENER & SUPPLY CO.
595 WILSON STREET
EUGENE, OR 97402



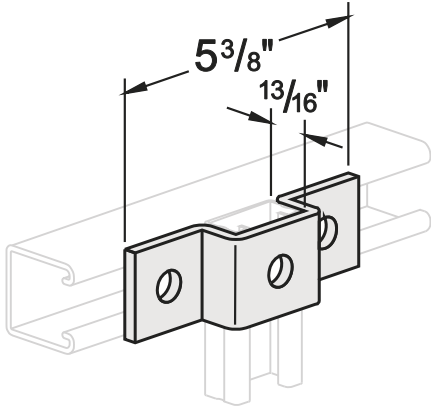
PHONE: 541-342-5978
TOLL FREE: 800-929-5978
FAX: 541-342-1385

19

U S H A P E

CHANNEL FITTINGS

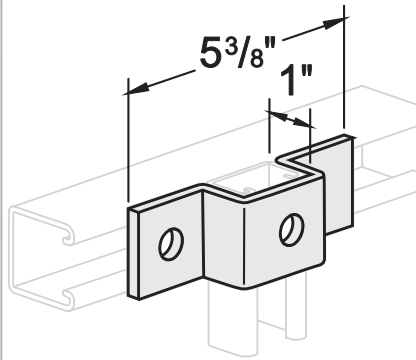
3 HOLE U SUPPORT



4696

25/CTN
62.0 LBS/100

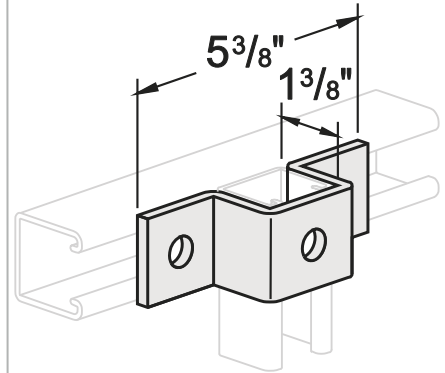
3 HOLE U SUPPORT



4697

25/CTN
66.0 LBS/100

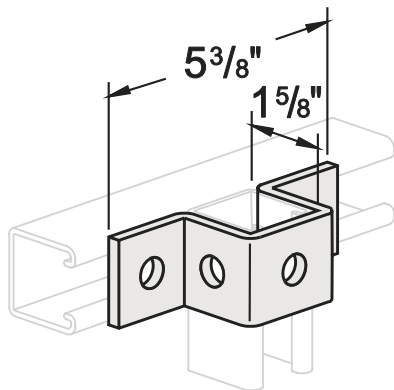
3 HOLE U SUPPORT



4698

25/CTN
70.0 LBS/100

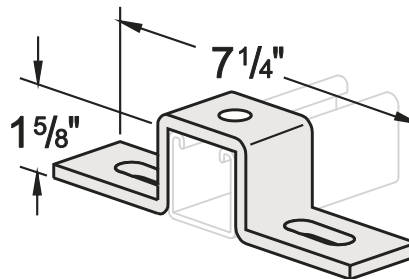
5 HOLE U SUPPORT



4699

15/CTN
72.0 LBS/100

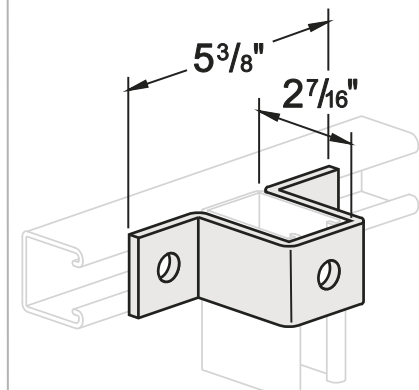
1 HOLE ADJ. U SUPPORT W/ SLOTS



4700

10/CTN
96.0 LBS/100

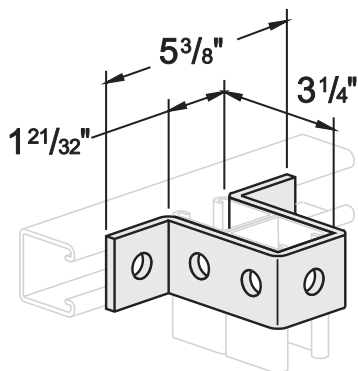
3 HOLE U SUPPORT



4702

15/CTN
108.0 LBS/100

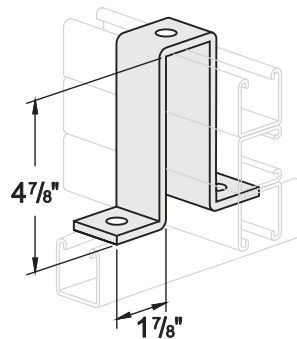
7 HOLE U SUPPORT



4703

25/CTN
121.0 LBS/100

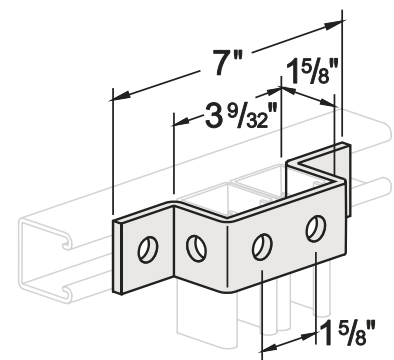
3 HOLE U SUPPORT



4704

10/CTN
197.0 LBS/100

6 HOLE U SUPPORT



4701

10/CTN
103.0 LBS/100

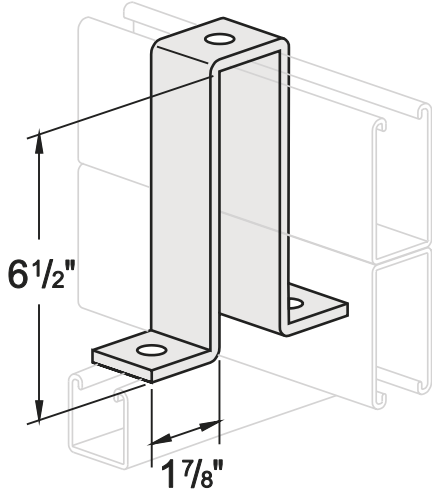
UNLESS SPECIFIED, MATERIAL IS 1-5/8" WIDE. HOLES ARE 9/16" DIAMETER, 13/16" CENTER TO EDGE, & SPACED 1-7/8" ON CENTER. STANDARD FINISH - EG ALSO AVAILABLE: STAINLESS STEEL & HOT DIPPED GALVANIZED

10.11

U SH A P E

CHANNEL FITTINGS

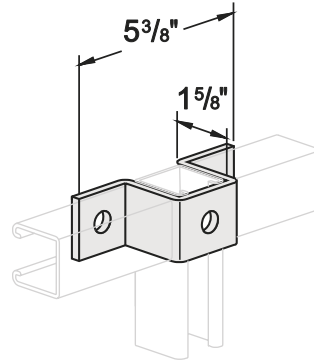
3 HOLE U SUPPORT



47046

10/CTN
200 LBS/100

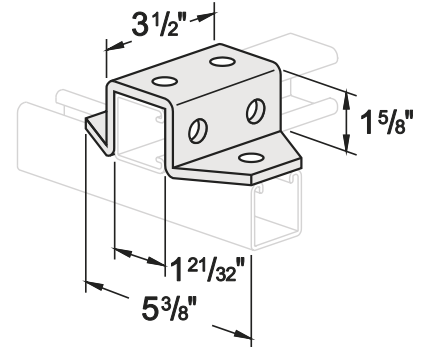
3 HOLE OFFSET U SUPPORT



4705

25/CTN
95 LBS/100

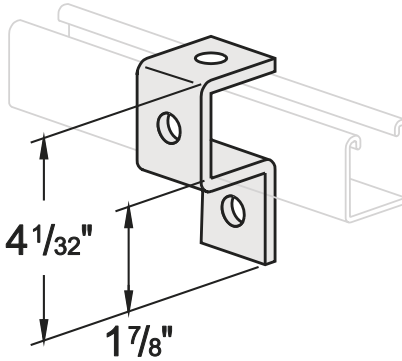
8 HOLE U SUPPORT



4706

10/CTN
171 LBS/100

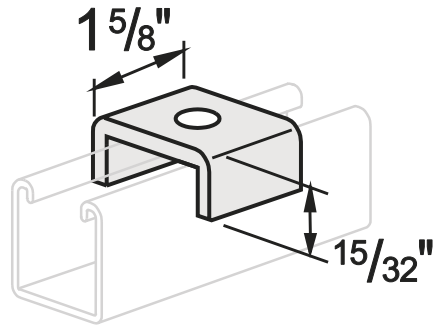
4 HOLE U CUP SUPPORT



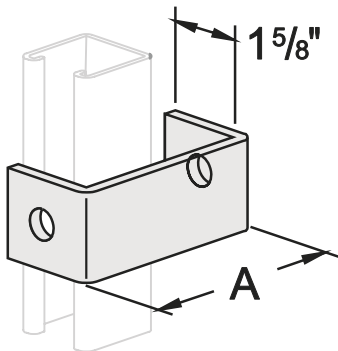
4707

25/CTN
76 LBS/100

U SADDLE WASHER



2 HOLE COLUMN OR STRINGER INSIDE CLEVIS HANGER



P/N	A	CTN. QTY.	LBS/100
47084	4"	25	78
47085	5"	25	89

P/N	SIZE	CTN. QTY.	LBS/100
47092	1/4"	50	18
47093	3/8"		
47095	1/2"		
47096	5/8"	17	
47097	3/4"		

UNLESS SPECIFIED, MATERIAL IS 1-5/8" WIDE. HOLES ARE 9/16" DIAMETER, 13/16" CENTER TO EDGE, & SPACED 1-7/8" ON CENTER. STANDARD FINISH - EG ALSO AVAILABLE: STAINLESS STEEL & HOT DIPPED GALVANIZED

10.11

EUGENE FASTENER & SUPPLY CO.
595 WILSON STREET
EUGENE, OR 97402



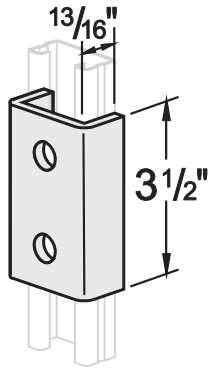
PHONE: 541-342-5978
TOLL FREE: 800-929-5978
FAX: 541-342-1385

21

U S H A P E

CHANNEL FITTINGS

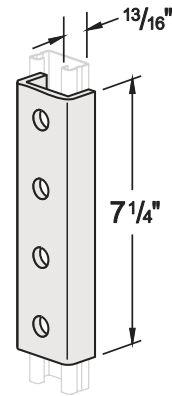
2 HOLE SPlice CLEVIS



4713

20/CTN
85 LBS/100

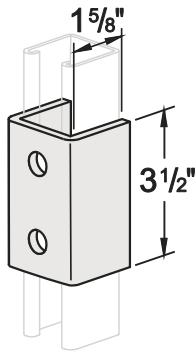
4 HOLE SPlice CLEVIS



4716

10/CTN
158 LBS/100

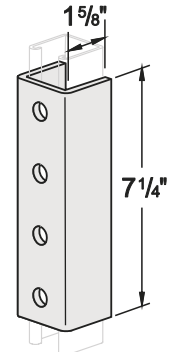
2 HOLE SPlice CLEVIS



4714

25/CTN
128 LBS/100

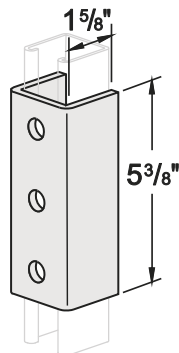
4 HOLE SPlice CLEVIS



4717

10/CTN
230 LBS/100

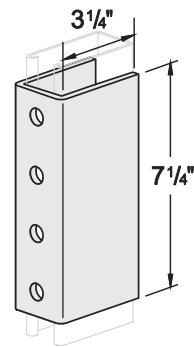
3 HOLE SPlice CLEVIS



4715

20/CTN
197 LBS/100

4 HOLE SPlice CLEVIS



4718

5/CTN
410 LBS/100

UNLESS SPECIFIED, MATERIAL IS 1-5/8" WIDE. HOLES ARE 9/16" DIAMETER, 13/16" CENTER TO EDGE, & SPACED 1-7/8" ON CENTER. STANDARD FINISH - EG ALSO AVAILABLE: STAINLESS STEEL & HOT DIPPED GALVANIZED

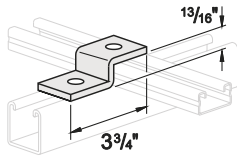
10.11

Z SHAPE

CHANNEL FITTINGS

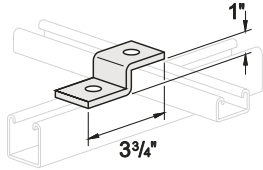
2 HOLE Z SUPPORTS

4722



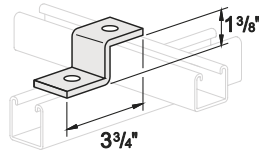
50/CTN
47 LBS/100

4723



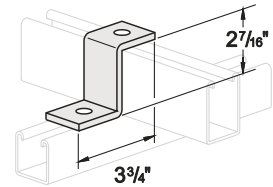
25/CTN
47 LBS/100

4724



25/CTN
53 LBS/100

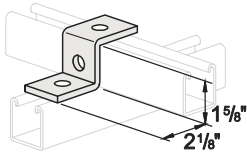
4726



25/CTN
67 LBS/100

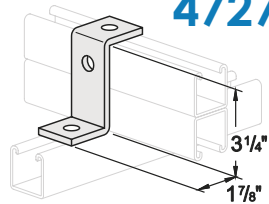
3 HOLE Z SUPPORTS

4725



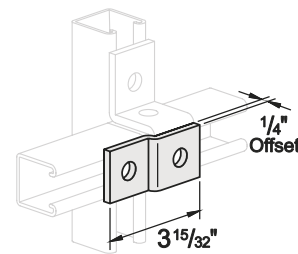
25/CTN
53 LBS/100

4727



25/CTN
70 LBS/100

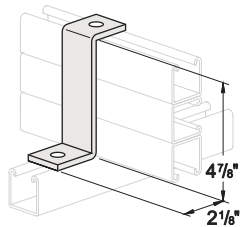
2 HOLE 1/4" OFFSET SUPPORT



4721

25/CTN
38 LBS/100

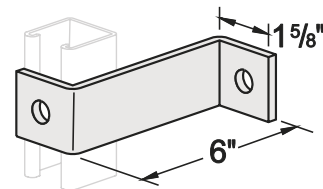
2 HOLE SUPPORT FOR 4-7/8" CHANNEL COMBINATION



4728

25/CTN
90 LBS/100

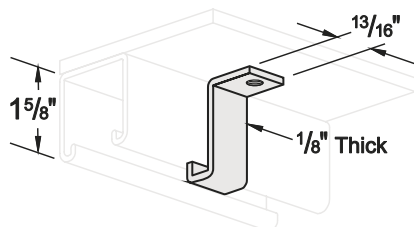
2 HOLE 6" OFFSET SUPPORT



47296

25/CTN
95 LBS/100

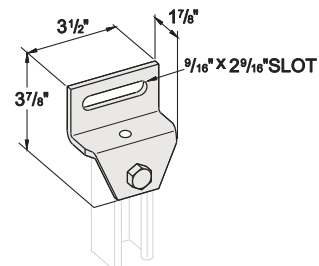
SHELF ATTACHMENT Z



47102

100/CTN
9 LBS/100

2 HOLE 1-5/8" SLOTTED OFFSET SUPPORT



4730

20/CTN
93 LBS/100

UNLESS SPECIFIED, MATERIAL IS 1-5/8" WIDE. HOLES ARE 9/16" DIAMETER, 13/16" CENTER TO EDGE, & SPACED 1-7/8" ON CENTER. STANDARD FINISH - EG ALSO AVAILABLE: STAINLESS STEEL & HOT DIPPED GALVANIZED

10.11

EUGENE FASTENER & SUPPLY CO.
595 WILSON STREET
EUGENE, OR 97402



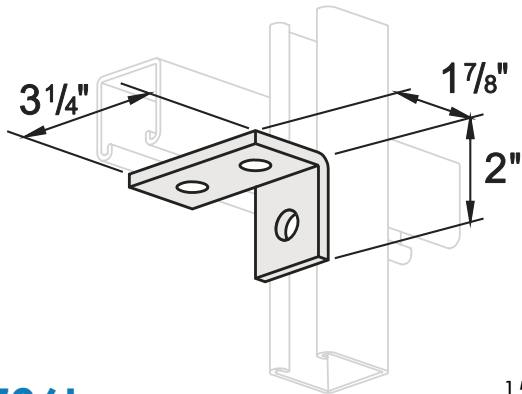
PHONE: 541-342-5978
TOLL FREE: 800-929-5978
FAX: 541-342-1385

23

W I N G

CHANNEL FITTINGS

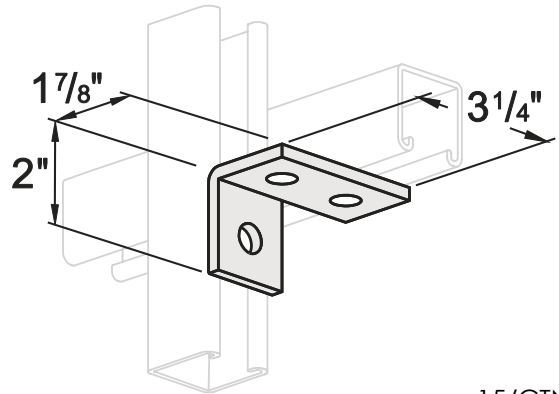
3 HOLE L. H. OFFSET ANGLE



4736L

15/CTN
93 LBS/100

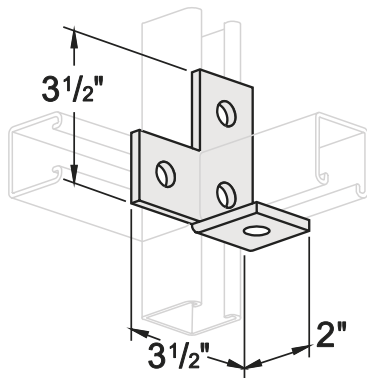
3 HOLE R. H. OFFSET ANGLE



4736R

15/CTN
93 LBS/100

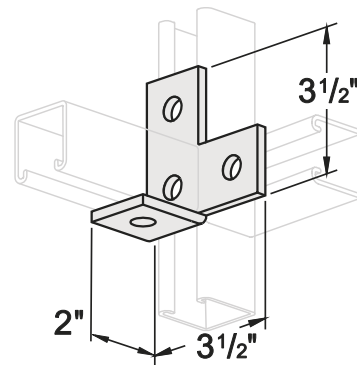
4 HOLE L. H. OFFSET BENT TEE



4755L

10/CTN
72 LBS/100

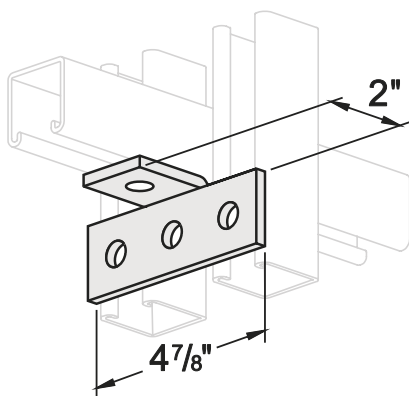
4 HOLE R. H. OFFSET BENT TEE



4755R

10/CTN
72 LBS/100

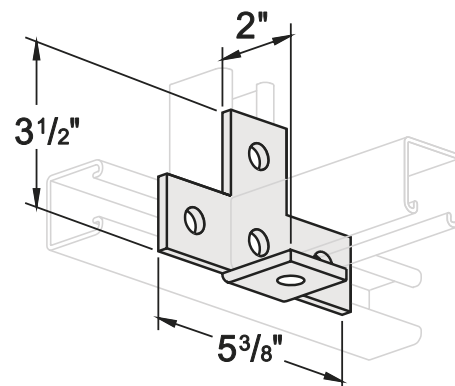
4 HOLE BENT TEE ANGLE



4740

10/CTN
72 LBS/100

5 HOLE BENT CROSS



4757

10/CTN
90 LBS/100

UNLESS SPECIFIED, MATERIAL IS 1-5/8" WIDE. HOLES ARE 9/16" DIAMETER, 13/16" CENTER TO EDGE, & SPACED 1-7/8" ON CENTER. STANDARD FINISH - EG ALSO AVAILABLE: STAINLESS STEEL & HOT DIPPED GALVANIZED

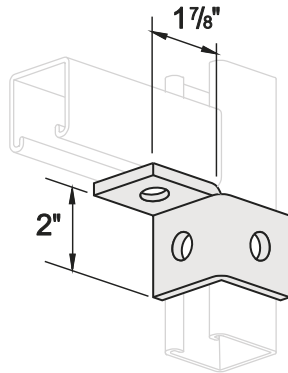
10.11

W I N G

CHANNEL FITTINGS

3 HOLE L. H. SINGLE CORNER

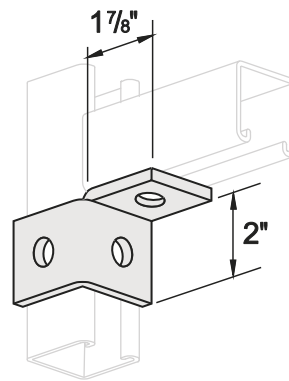
15/CTN
60 LBS/100



4737L

3 HOLE R. H. SINGLE CORNER

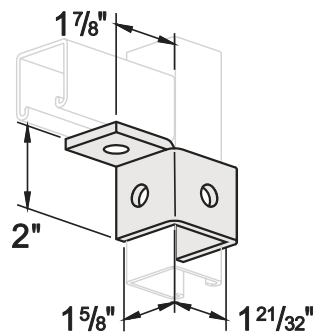
15/CTN
60 LBS/100



4737R

4 HOLE L. H. WRAP AROUND SINGLE CONNECTOR

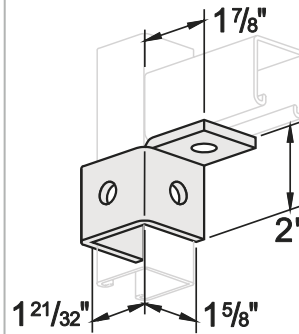
15/CTN
70 LBS/100



4756L

4 HOLE R. H. WRAP AROUND SINGLE CONNECTOR

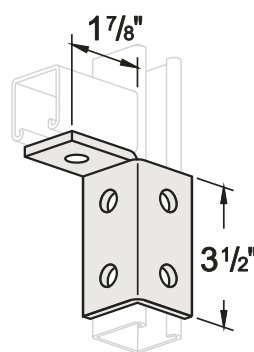
15/CTN
70 LBS/100



4756R

5 HOLE L. H. SINGLE CORNER

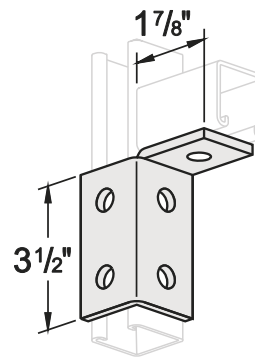
15/CTN
100 LBS/100



4741L

5 HOLE R. H. SINGLE CORNER

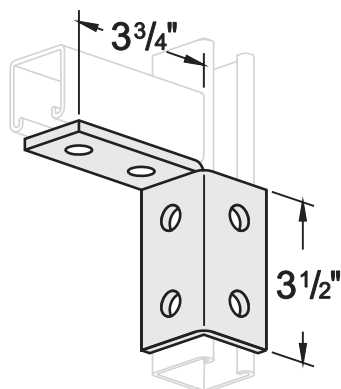
15/CTN
100 LBS/100



4741R

6 HOLE L. H. SINGLE CORNER

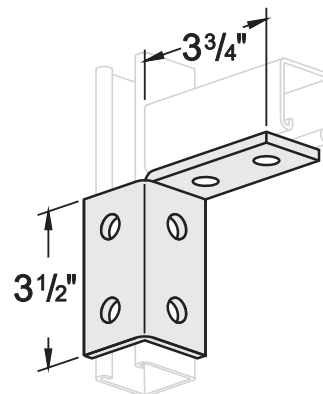
15/CTN
119 LBS/100



4742L

6 HOLE R. H. SINGLE CORNER

15/CTN
119 LBS/100



4742R

UNLESS SPECIFIED, MATERIAL IS 1-5/8" WIDE. HOLES ARE 9/16" DIAMETER, 13/16" CENTER TO EDGE, & SPACED 1-7/8" ON CENTER. STANDARD FINISH - EG ALSO AVAILABLE: STAINLESS STEEL & HOT DIPPED GALVANIZED

10.11

EUGENE FASTENER & SUPPLY CO.
595 WILSON STREET
EUGENE, OR 97402



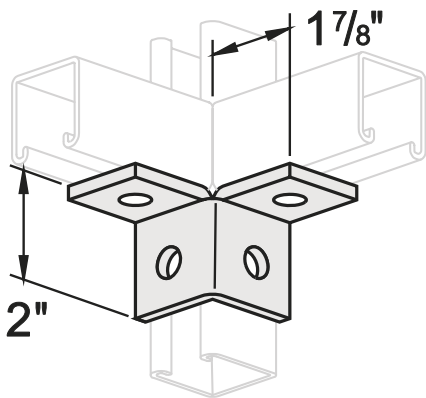
PHONE: 541-342-5978
TOLL FREE: 800-929-5978
FAX: 541-342-1385

25

W I N G

CHANNEL FITTINGS

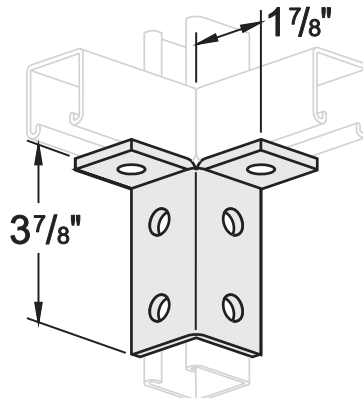
4 HOLE 2 CORNER



4738

25/CTN
76 LBS/100

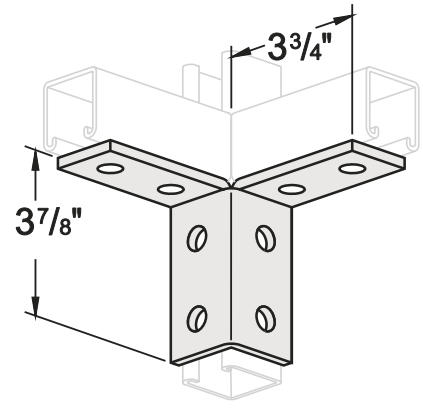
6 HOLE 2 CORNER



4739

25/CTN
115 LBS/100

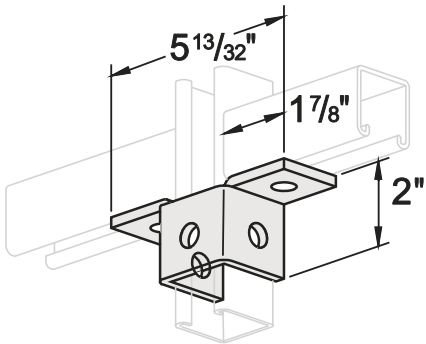
8 HOLE 2 CORNER



4743

10/CTN
156 LBS/100

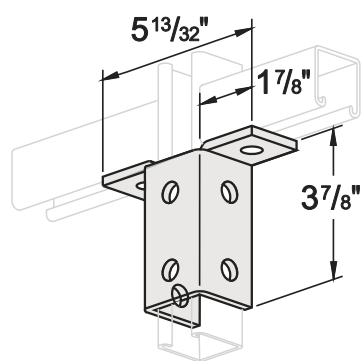
5 HOLE 2 CORNER



4744

15/CTN
93 LBS/100

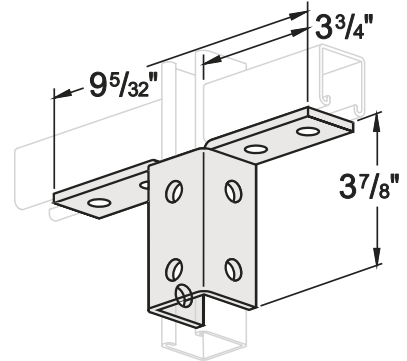
8 HOLE 2 CORNER



4749

10/CTN
177 LBS/100

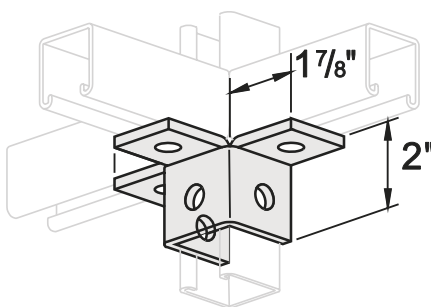
10 HOLE 2 CORNER



4745

10/CTN
202 LBS/100

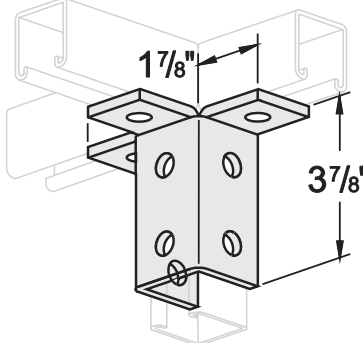
6 HOLE 3 CORNER



4746

10/CTN
105 LBS/100

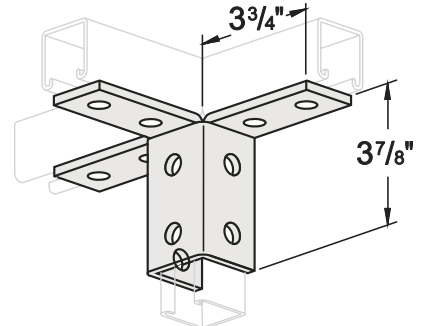
9 HOLE 3 CORNER



4748

10/CTN
193 LBS/100

12 HOLE 3 CORNER



4747

10/CTN
239 LBS/100

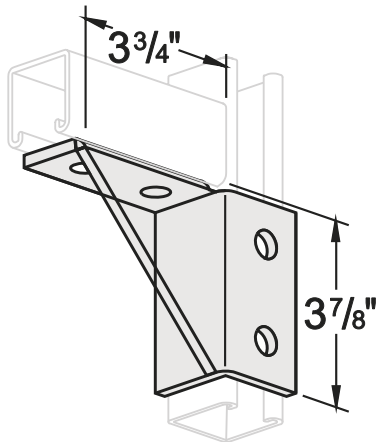
UNLESS SPECIFIED, MATERIAL IS 1-5/8" WIDE. HOLES ARE 9/16" DIAMETER, 13/16" CENTER TO EDGE, & SPACED 1-7/8" ON CENTER.
STANDARD FINISH - EG ALSO AVAILABLE: STAINLESS STEEL & HOT DIPPED GALVANIZED

10.11

W I N G

CHANNEL FITTINGS

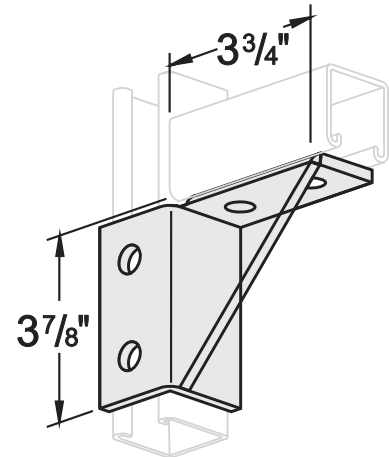
**4 HOLE
L. H.
GUSSETED
SINGLE
CORNER**



4750L

10/CTN
176 LBS/100

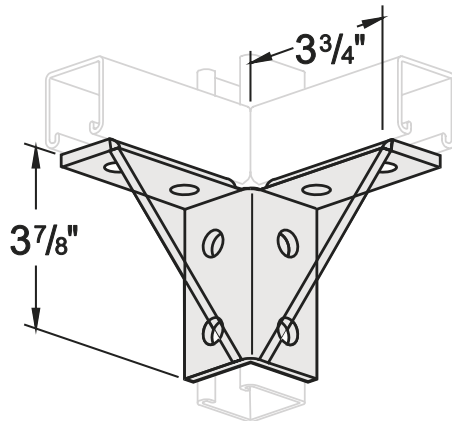
**4 HOLE
R. H.
GUSSETED
SINGLE
CORNER**



4750R

10/CTN
176 LBS/100

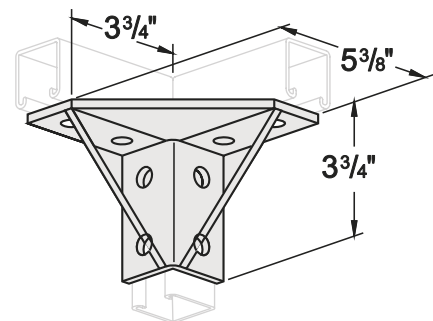
**8 HOLE
GUSSETED
DOUBLE
CORNER**



4751

10/CTN
217 LBS/100

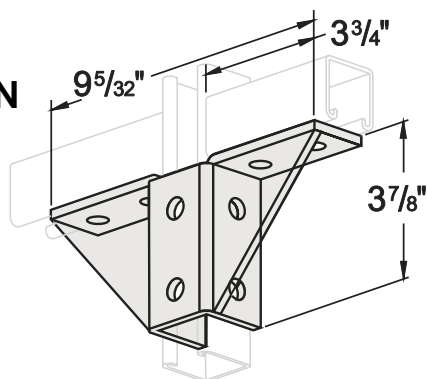
**8 HOLE
GUSSETED
DOUBLE
CORNER**



4752

5/CTN
315 LBS/100

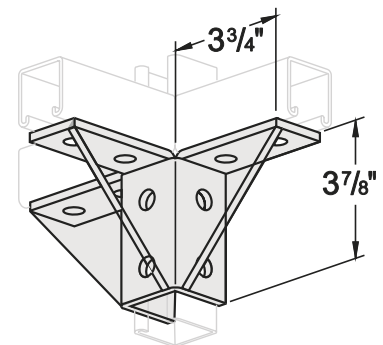
**10 HOLE
GUSSETED
DOUBLE
CONNECTION**



4753

5/CTN
285 LBS/100

**12 HOLE
GUSSETED
TRIPLE
CONNECTION**



4754

5/CTN
330 LBS/100

UNLESS SPECIFIED, MATERIAL IS 1-5/8" WIDE. HOLES ARE 9/16" DIAMETER, 13/16" CENTER TO EDGE, & SPACED 1-7/8" ON CENTER.
STANDARD FINISH - EG ALSO AVAILABLE: STAINLESS STEEL & HOT DIPPED GALVANIZED

10.11

EUGENE FASTENER & SUPPLY CO.
595 WILSON STREET
EUGENE, OR 97402



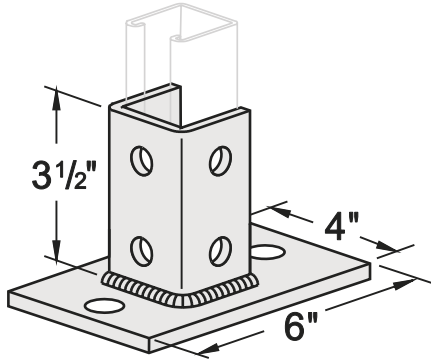
PHONE: 541-342-5978
TOLL FREE: 800-929-5978
FAX: 541-342-1385

27

POST BASE

CHANNEL FITTINGS

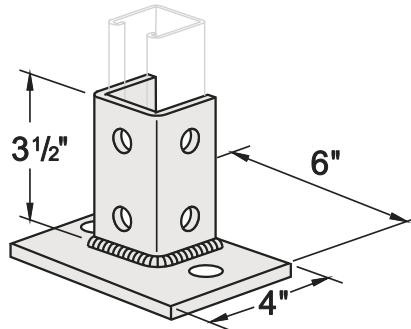
6 HOLE



4768

10/CTN
257 LBS/100

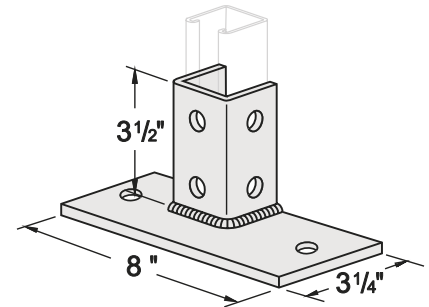
6 HOLE FLUSH MOUNT



4769

10/CTN
257 LBS/100

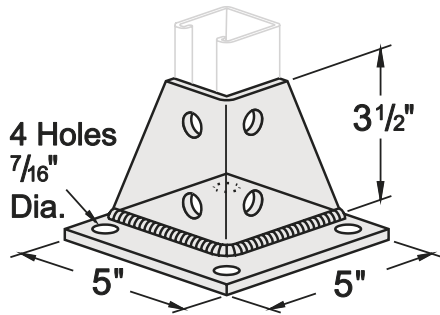
6 HOLE FLUSH MOUNT



4770

10/CTN
312 LBS/100

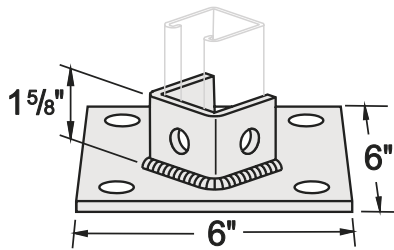
4 HOLE



4767

5/CTN
290 LBS/100

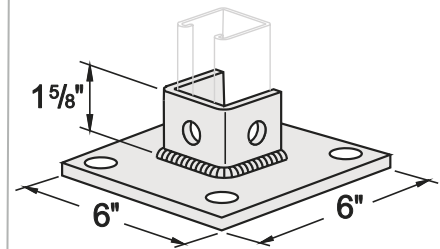
3 HOLE ANGLED



4771

10/CTN
275 LBS/100

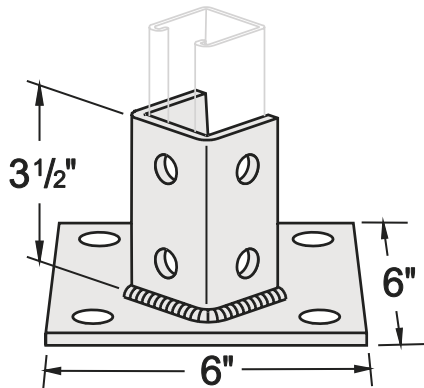
3 HOLE



4772

10/CTN
275 LBS/100

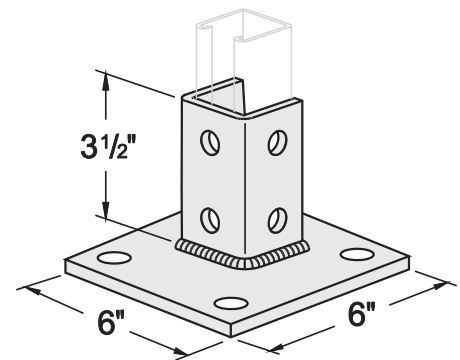
6 HOLE ANGLED



4773

5/CTN
333 LBS/100

6 HOLE



4774

5/CTN
333 LBS/100

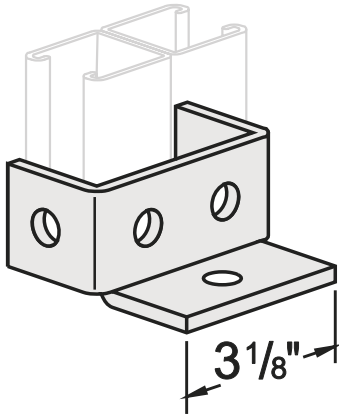
UNLESS SPECIFIED, MATERIAL IS 1-5/8" WIDE. HOLES ARE 9/16" DIAMETER, 13/16" CENTER TO EDGE, & SPACED 1-7/8" ON CENTER. STANDARD FINISH - EG ALSO AVAILABLE: STAINLESS STEEL & HOT DIPPED GALVANIZED

10.11

POST BASE

CHANNEL FITTINGS

5 HOLE DOUBLE CHANNEL



4766

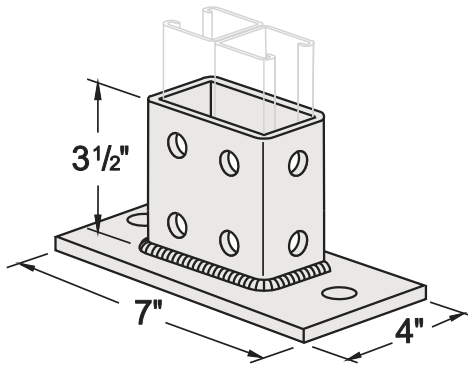
5/CTN
130 LBS/100

QUALITY QUALITY QUALITY
QUALITY QUALITY QUALITY



QUALITY QUALITY QUALITY

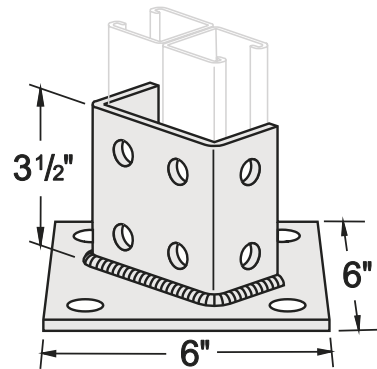
12 HOLE DOUBLE CHANNEL



4775

5/CTN
311 LBS/100

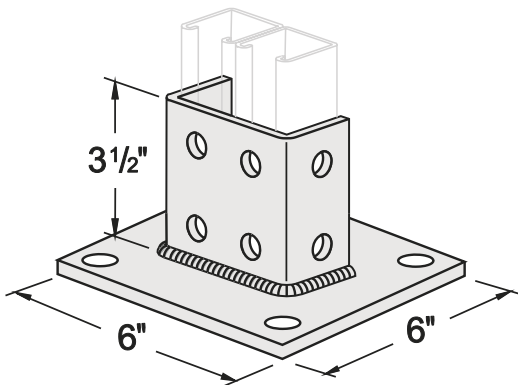
8 HOLE ANGLED DOUBLE CHANNEL



4776

5/CTN
375 LBS/100

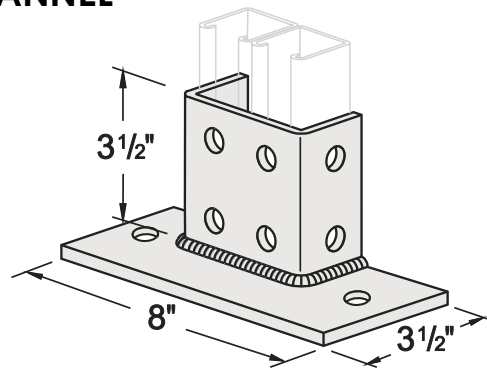
8 HOLE DOUBLE CHANNEL



4777

5/CTN
375 LBS/100

8 HOLE FLUSH MOUNT DOUBLE CHANNEL



4778

5/CTN
320 LBS/100

UNLESS SPECIFIED, MATERIAL IS 1-5/8" WIDE. HOLES ARE 9/16" DIAMETER, 13/16" CENTER TO EDGE, & SPACED 1-7/8" ON CENTER.
STANDARD FINISH - EG ALSO AVAILABLE: STAINLESS STEEL & HOT DIPPED GALVANIZED

10.11

EUGENE FASTENER & SUPPLY CO.
595 WILSON STREET
EUGENE, OR 97402



PHONE: 541-342-5978
TOLL FREE: 800-929-5978
FAX: 541-342-1385

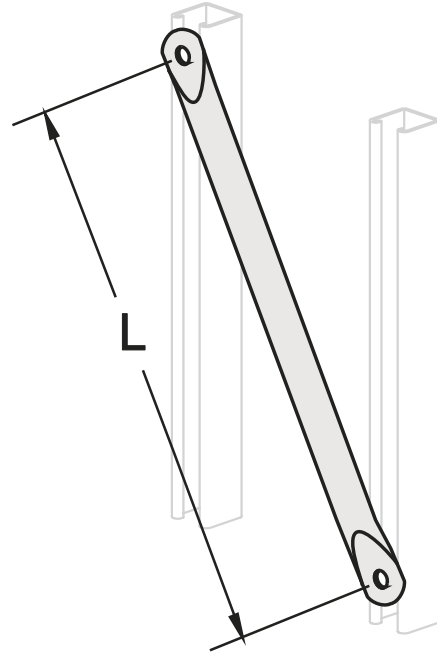
29

BRACES & BRACKETS

CHANNEL FITTINGS

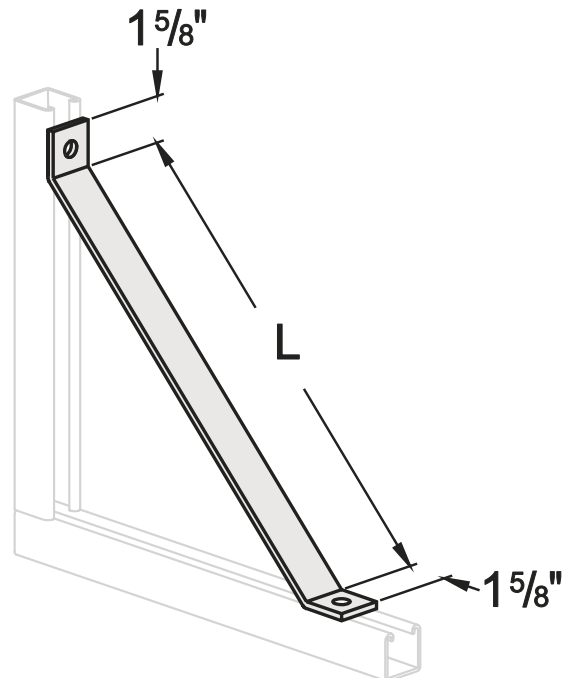
2 HOLE 1" ROUND STRAIGHT DIAGONAL TUBING BRACE 14 GAUGE

LENGTH	PART #	CTN./QTY.	WGT./100
36"	478136	BULK	205
42"	478142	BULK	235
48"	478148	BULK	270
54"	478154	BULK	300
60"	478160	BULK	335
72"	478172	BULK	400



2 HOLE CHANNEL BRACE

LENGTH	PART #	CTN./QTY.	WGT./100
12"	478312	15	168
16-5/8"	478316	BULK	230
18"	478318	BULK	238
24"	478324	BULK	280



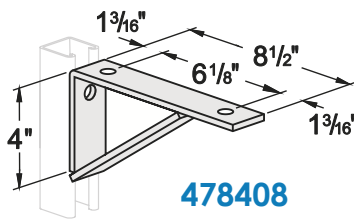
STANDARD FINISH - EG ALSO AVAILABLE: STAINLESS STEEL & HOT DIPPED GALVANIZED

10.11

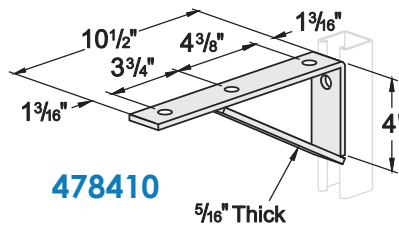
BRACES & BRACKETS

CHANNEL FITTINGS

HEAVY DUTY SHELF BRACKET

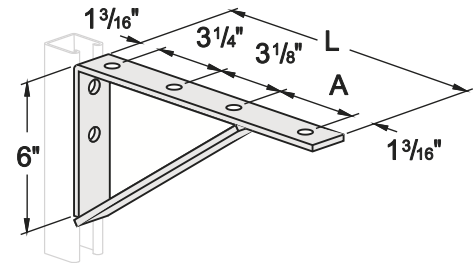


478408

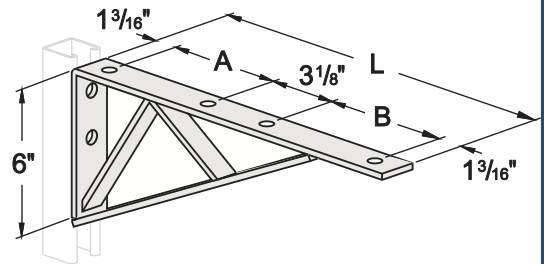


478410

478412 - 478414

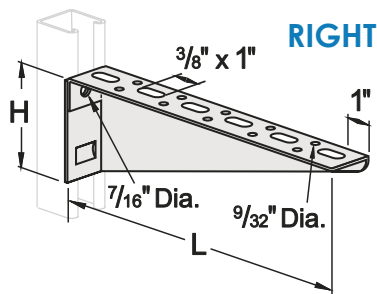
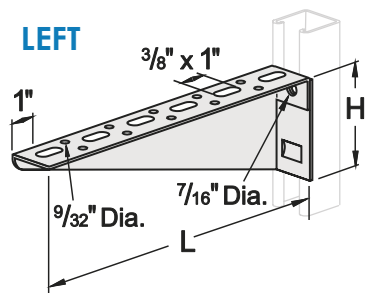


478416 - 478420



LENGTH	PART #	A	B	CTN./QTY.	WGT./100
8-1/2"	478408	-	-	BULK	175
10-1/2"	478410	-	-	BULK	200
12-1/2"	478412	3-3/4"	-	BULK	260
14-1/2"	478414	5-3/4"	-	BULK	295
16-1/2"	478416	5-1/4"	5-3/4"	BULK	385
18-1/2"	478418	5-1/4"	7-3/4"	BULK	420
20-1/2"	478420	7-1/4"	7-3/4"	BULK	460

12 GAUGE SHELF BRACKET W/ SLOTS



PART #		H	LENGTH	CTN./QTY.	WGT./100
478506L	478506R	1-15/16"	6"	BULK	67
478508L	478508R	2-7/16"	8"	BULK	92
478510L	478510R	2-15/16"	10"	BULK	120
478512L	478512R	3-7/16"	12"	BULK	152
478514L	478514R	3-15/16"	14"	BULK	173
478516L	478516R	4-7/16"	16"	BULK	223
478518L	478518R	4-15/16"	18"	BULK	266
478520L	478520R	5-7/16"	20"	BULK	295
478522L	478522R	5-15/16"	22"	BULK	361
478524L	478524R	6-7/16"	24"	BULK	400
478526L	478526R	6-15/16"	26"	BULK	456
478528L	478528R	7-7/16"	28"	BULK	479
478530L	478530R	7-15/16"	30"	BULK	544

STANDARD FINISH - EG ALSO AVAILABLE: STAINLESS STEEL & HOT DIPPED GALVANIZED

EUGENE FASTENER & SUPPLY CO.
595 WILSON STREET
EUGENE, OR 97402



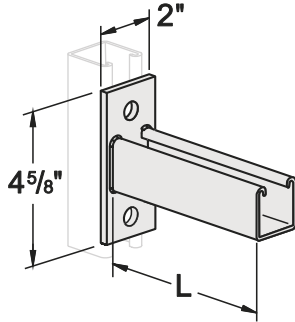
PHONE: 541-342-5978
TOLL FREE: 800-929-5978
FAX: 541-342-1385

10.11

BRACES & BRACKETS

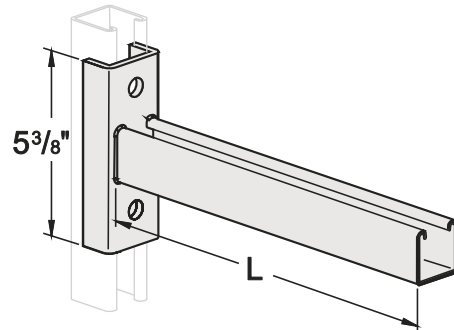
CHANNEL FITTINGS

SINGLE CHANNEL REVERSIBLE BRACKET



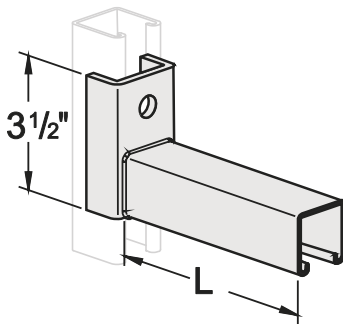
LENGTH	P/N	CTN. QTY.	WGT/100
6"	478606	10	185
12"	478612	10	239
18"	478618	5	401
24"	478624	5	509

SINGLE CHANNEL REVERSIBLE CLEVIS BRACKET



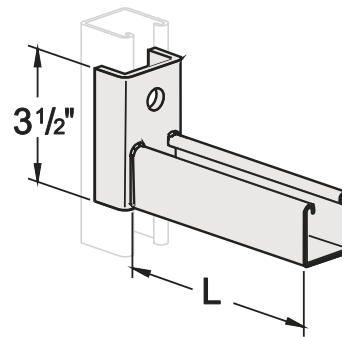
LENGTH	P/N	CTN. QTY.	WGT/100
18"	478918	5	436
24"	478924	5	536

CLEVIS BRACKET OPENING DOWN



LENGTH	P/N	CTN. QTY.	WGT/100
6"	478706	10	191
12"	478712	10	292

CLEVIS BRACKET OPENING UP



LENGTH	P/N	CTN. QTY.	WGT/100
6"	478806	10	191
12"	478812	10	292

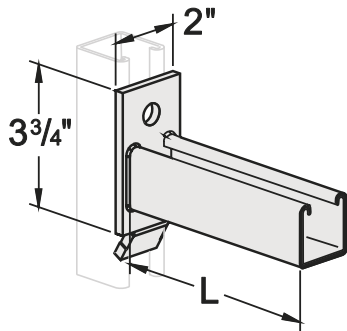
STANDARD FINISH - EG ALSO AVAILABLE: STAINLESS STEEL & HOT DIPPED GALVANIZED

10.11

BRACES & BRACKETS

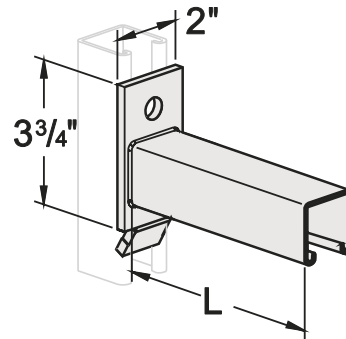
CHANNEL FITTINGS

NO SWIVEL CHANNEL BRACKET OPENING UP



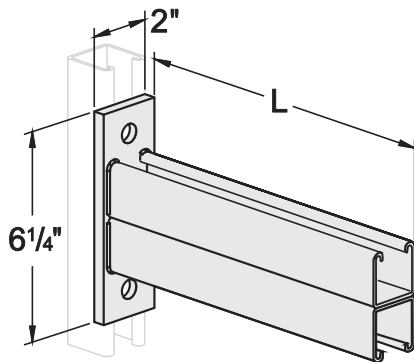
LENGTH	P/N	CTN. QTY.	WGT/100
6"	479006	10	161
12"	479012	10	261
18"	479018	5	361
24"	479024	5	461

NO SWIVEL CHANNEL BRACKET OPENING DOWN



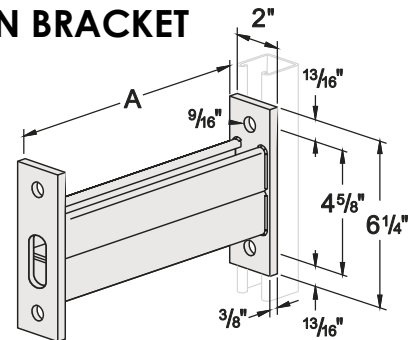
LENGTH	P/N	CTN. QTY.	WGT/100
6"	479306	10	161
12"	479312	10	261
18"	479318	5	361
24"	479324	5	461

DOUBLE CHANNEL BRACKET



LENGTH	P/N	CTN. QTY.	WGT/100
12"	479112	BULK	490
18"	479118	BULK	670
24"	479124	BULK	860
30"	479130	BULK	1050
36"	479136	BULK	1240
42"	479142	BULK	1430

DOUBLE CHANNEL STANCHION BRACKET



LENGTH	P/N	CTN. QTY.	WGT/100
24"	479224	BULK	960
30"	479230	BULK	1150
36"	479236	BULK	1340
42"	479242	BULK	1530
48"	479248	BULK	1720

STANDARD FINISH - EG ALSO AVAILABLE: STAINLESS STEEL & HOT DIPPED GALVANIZED

EUGENE FASTENER & SUPPLY CO.
595 WILSON STREET
EUGENE, OR 97402



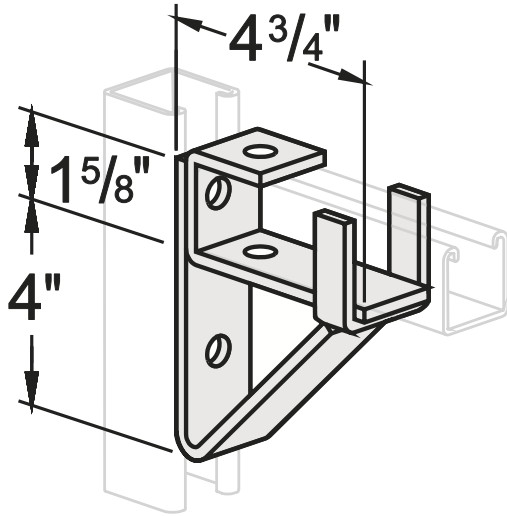
PHONE: 541-342-5978
TOLL FREE: 800-929-5978
FAX: 541-342-1385

10.11

BRACES & BRACKETS

CHANNEL FITTINGS

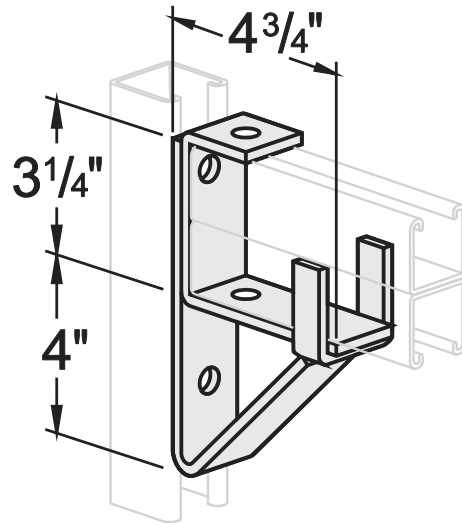
SINGLE CHANNEL
BRACKET SUPPORT



4794

10/CTN
235 LBS/100

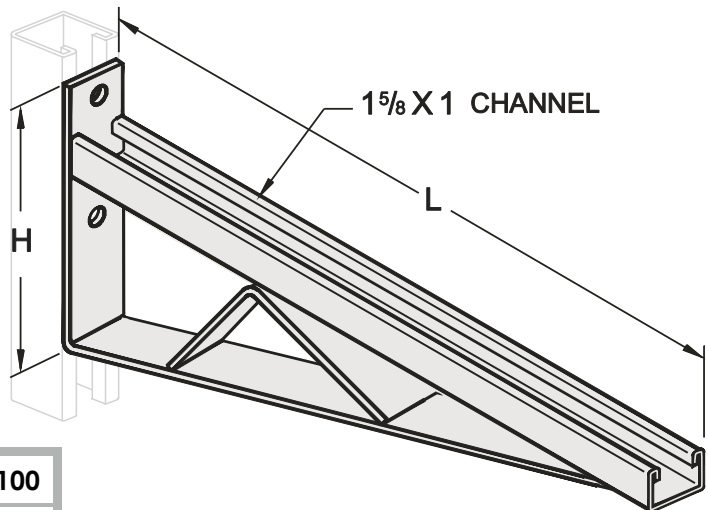
DOUBLE CHANNEL
BRACKET SUPPORT



4795

BULK/CTN
275 LBS/100

BRACED CABLE TRAY
STRUT BRACKET



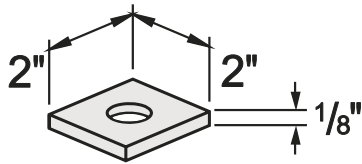
L	H	P/N	CTN. QTY.	WGT/100
12"	8-3/4"	479612	BULK	388
18"	8-3/4"	479618	BULK	506
24"	8-3/4"	479624	BULK	763
30"	11-1/4"	479630	BULK	1012
36"	11-3/4"	479636	BULK	1068

STANDARD FINISH - EG ALSO AVAILABLE: STAINLESS STEEL & HOT DIPPED GALVANIZED

10.11

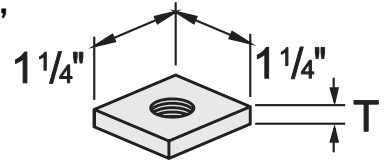
MISC. HARDWARE

2" X 2" SQUARE WASHER



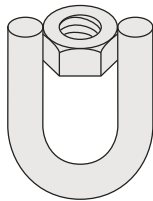
PART #	HOLE SIZE	CTN. QTY.	WGT./ 100
4595	3/8"	100	13
4596	1/2"	100	13

1-1/4" X 1-1/4" SQUARE NUT



PART #	HOLE SIZE	THICK	CTN. QTY.	WGT./ 100
4841	1/4-20	1/4"	100	10
4842	3/8-16	3/8"	100	15
4843	1/2-13	1/2"	100	18
4844	5/8-11	1/2"	100	17
4845	3/4-10	1/2"	100	15

FEMALE SWIVEL



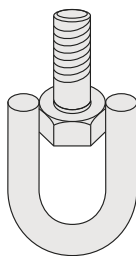
PART #	SIZE	CTN. QTY.	WGT./ 100
4853F	3/8-16	25	12
4854F	1/2-13	25	15

FEMALE/FEMALE SWIVEL



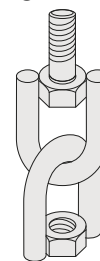
PART #	SIZE	CTN. QTY.	WGT./ 100
4853FF	3/8-16	50	24
4854FF	1/2-13	50	24

MALE SWIVEL



PART #	SIZE	STUD LENGTH	CTN. QTY.	WGT./ 100
4853M	3/8-16	1"	25	15
4854M	1/2-13	1"	25	20

MALE/FEMALE SWIVEL



PART #	SIZE	STUD LENGTH	CTN. QTY.	WGT./ 100
4853MF	3/8-16	1"	50	26
4854MF	1/2-13	1"	50	35

STANDARD FINISH - EG ALSO AVAILABLE: STAINLESS STEEL

EUGENE FASTENER & SUPPLY CO.
595 WILSON STREET
EUGENE, OR 97402



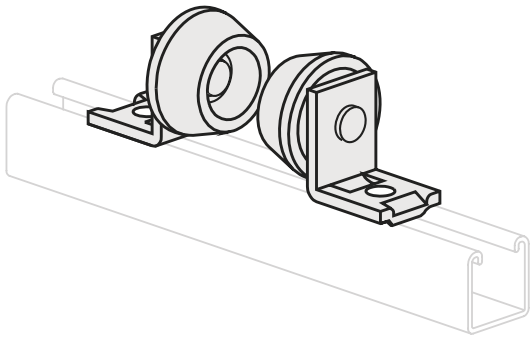
PHONE: 541-342-5978
TOLL FREE: 800-929-5978
FAX: 541-342-1385

10.11

35

MISC. HARDWARE

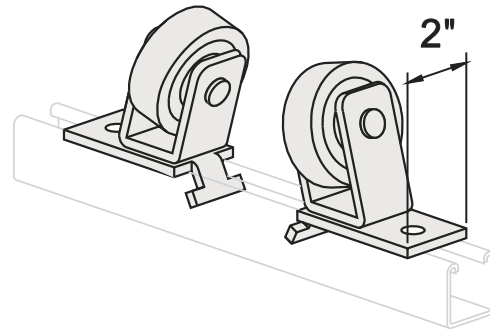
**2 ROLLER NO SWIVEL
PIPE SUPPORT
ADJUSTABLE
1" - 8"**



4858

BULK
150 LBS/100

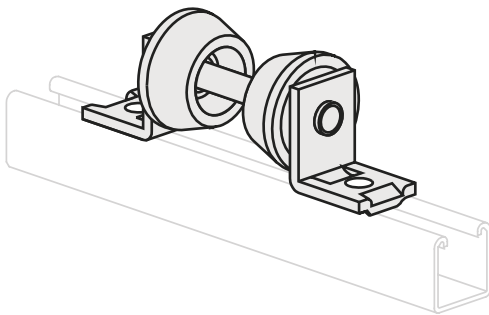
**2 ROLLER
PIPE SUPPORT
ADJUSTABLE
6" - 18"**



4860

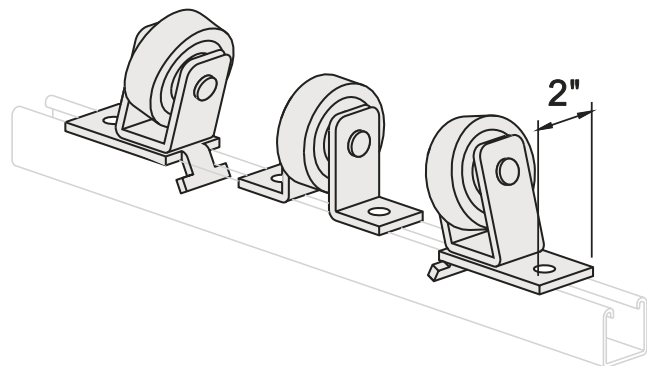
BULK
397 LBS/100

PIPE ROLLER ASSEMBLY



P/N	SIZE RANGE	CTN. QTY.	LBS/100
485903	1" - 3"	BULK	159
485904	2-1/2" - 4"	BULK	166
485906	4" - 6"	BULK	179
485908	6" - 8"	BULK	182
485910	9" - 10"	BULK	190
485912	12"	BULK	193

**3 ROLLER
PIPE SUPPORT
ADJUSTABLE
20" - 30"**



4861

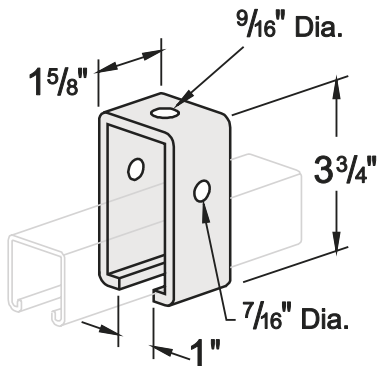
BULK
587 LBS/100

STANDARD FINISH - EG

10.11

MISC. HARDWARE

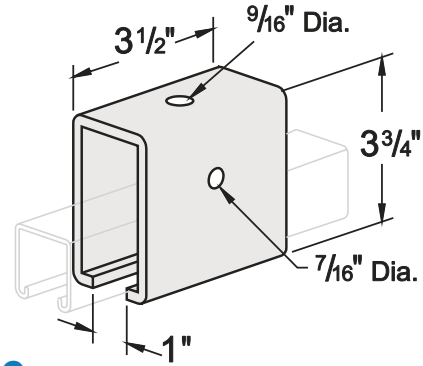
INTERMEDIATE SUPPORT FOR 1-5/8" TROLLEY TRACK



4872

20/CTN
110 LBS/100

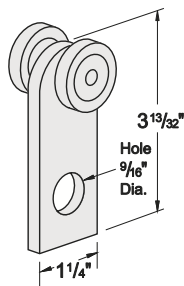
SPLICE SUPPORT FOR 1-5/8" TROLLEY TRACK



4873

10/CTN
220 LBS/100

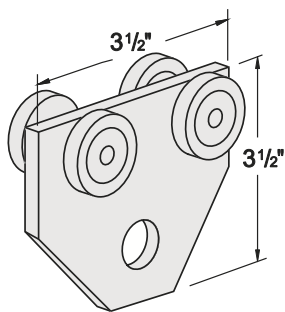
1 HOLE 2 WHEEL TROLLEY



4869

20/CTN
60 LBS/100

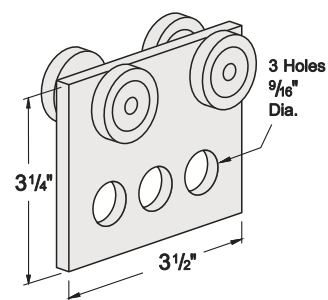
1 HOLE 4 WHEEL TROLLEY



4870

10/CTN
112 LBS/100

3 HOLE 4 WHEEL TROLLEY



4871

BULK
125 LBS/100

STANDARD FINISH - EG

10.11

EUGENE FASTENER & SUPPLY CO.
595 WILSON STREET
EUGENE, OR 97402

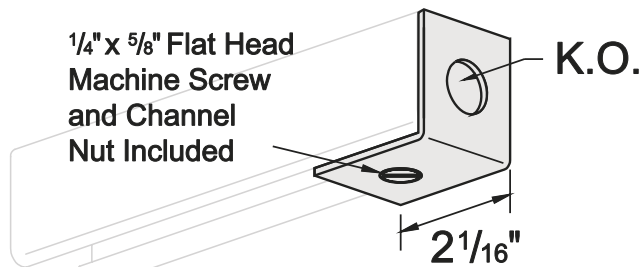


PHONE: 541-342-5978
TOLL FREE: 800-929-5978
FAX: 541-342-1385

37

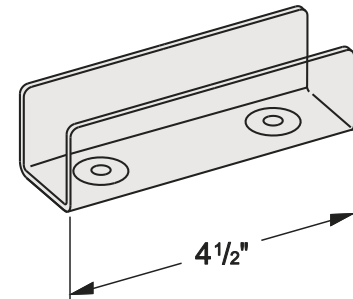
MISC. HARDWARE

RACEWAY ENDCAP FOR 1-5/8" CHANNEL



PART #	K.O.	CTN. QTY.	WGT./100
4895	1/2"	50	21
4896	3/4"	50	21

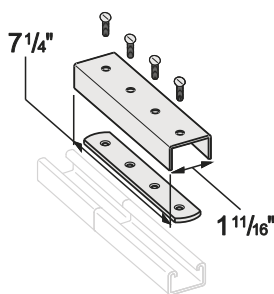
INTERNAL U JOINER FOR 1-5/8" CHANNEL



4897

50/CTN
50 LBS/100

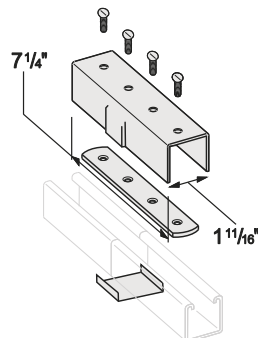
RACEWAY SPLICE PLATE FOR 13/16" CHANNEL



4898

25/CTN
85 LBS/100

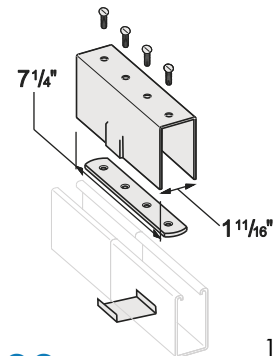
RACEWAY SPLICE PLATE FOR 1-5/8" CHANNEL



4899

25/CTN
134 LBS/100

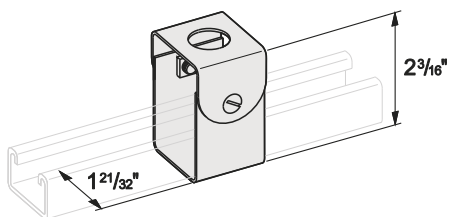
RACEWAY SPLICE PLATE FOR 3-1/4" CHANNEL



4900

10/CTN
155 LBS/100

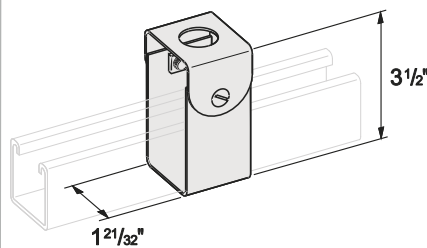
DBL. CLEVIS HANGER FOR 13/16" & 1" CHANNEL



4901

25/CTN
34 LBS/100

DBL. CLEVIS HANGER FOR 1-5/8" CHANNEL



4902

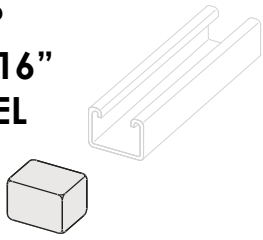
25/CTN
40 LBS/100

STANDARD FINISH - EG

10.11

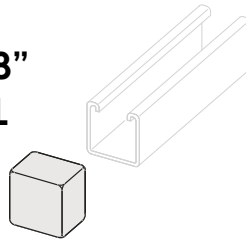
MISC. HARDWARE

ENDCAP FOR 13/16" CHANNEL



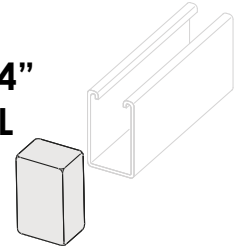
PART #	COLOR	CTN. QTY.	WGT./100
4882R	RED	50	2.8
4882W	WHITE	50	2.8
4882Y	YELLOW	50	2.8
4882GY	GREY	50	2.8

ENDCAP FOR 1-5/8" CHANNEL



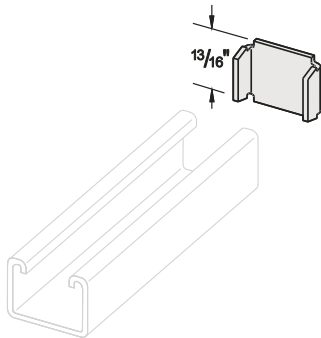
PART #	COLOR	CTN. QTY.	WGT./100
4881R	RED	50	4.2
4881W	WHITE	50	4.2
4881Y	YELLOW	50	4.2
4881GY	GREY	50	4.2

ENDCAP FOR 3-1/4" CHANNEL



PART #	COLOR	CTN. QTY.	WGT./100
4880R	RED	50	7.3
4880W	WHITE	50	7.3
4880Y	YELLOW	50	7.3
4880GY	GREY	50	7.3

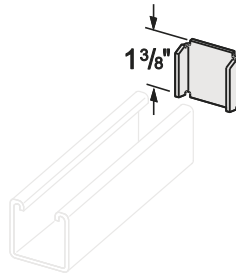
RACEWAY ENDCAP FOR 13/16" CHANNEL



4890

100/CTN
4 LBS/100

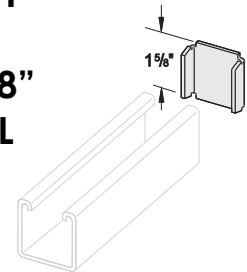
RACEWAY ENDCAP FOR 1-3/8" CHANNEL



4891

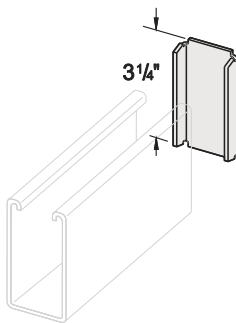
100/CTN
6 LBS/100

RACEWAY ENDCAP FOR 1-5/8" CHANNEL



PART #	CHANNEL	CTN. QTY.	WGT./100
4892	12 GA,	100	10
4893	14 GA,	100	8

RACEWAY ENDCAP FOR 3-1/4" CHANNEL



4894

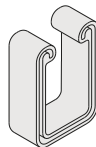
100/CTN
16 LBS/100

OPEN SAFETY END CAP

ADD COLOR CODE AFTER PART #
(GY)GREY, (R)RED, (W)WHITE, (Y)YELLOW

4883

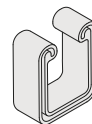
FOR USE WITH
3-1/4" CHANNEL



50/CTN
5.6 LBS/100

4884

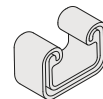
FOR USE WITH
1-5/8" CHANNEL



50/CTN
4.1 LBS/100

4885

FOR USE WITH
13/16" CHANNEL



50/CTN
3.5 LBS/100

STANDARD FINISH - EG, FOR METAL ENDCAPS

EUGENE FASTENER & SUPPLY CO.
595 WILSON STREET
EUGENE, OR 97402



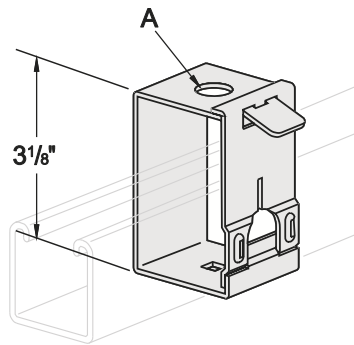
PHONE: 541-342-5978
TOLL FREE: 800-929-5978
FAX: 541-342-1385

10.11

39

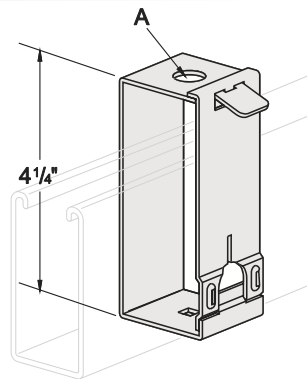
MISC. HARDWARE

SWING GATE HANGER FOR 1-5/8" CHANNEL



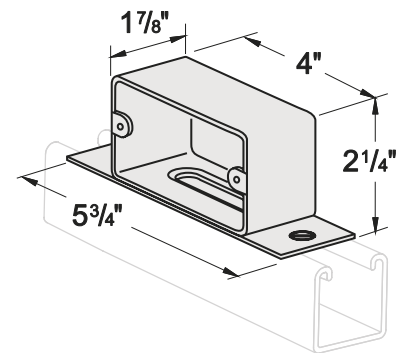
PART #	A	QTY. CTN.	WGT./ 100
4905	9/16"	20	23
4906	7/8"	20	25

SWING GATE HANGER FOR 3-1/4" CHANNEL



PART #	A	QTY. CTN	WGT./ 100
4907	9/16"	20	30
4908	7/8"	20	30

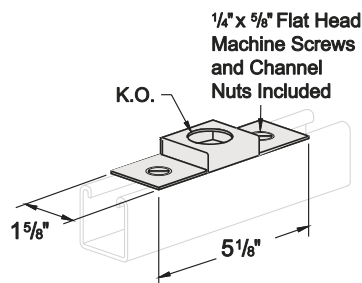
HANDY OUTLET BOX



4912

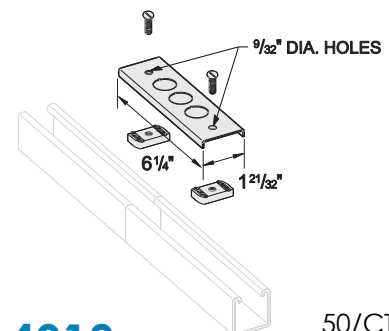
20/CTN
85 LBS/100

CONDUIT CONNECTOR



PART #	SIZE	HOLE	QTY. CTN.	WGT./ 100
4910	1/2"	7/8"	25	28
4911	3/4"	1-3/32"	25	28

CONNECTION PLATE W/ 3 7/8" KNOCKOUTS



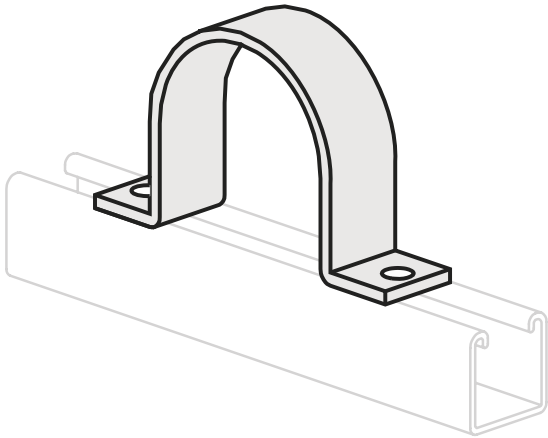
4913

50/CTN
35 LBS/100

STANDARD FINISH - EG

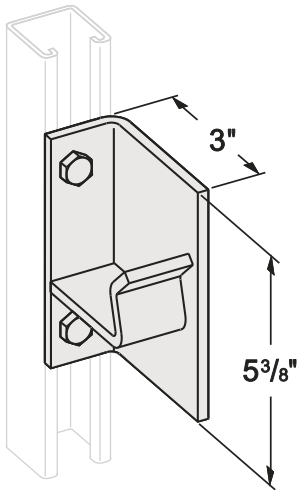
MISC. HARDWARE

2 HOLE HOLD DOWN STRAP FOR IRON PIPE & RIGID CONDUIT



PART #	PIPE SIZE	HOLE SIZE	QTY. CTN.	WGT./100		
486301	1/2"	9/32"	25	23		
486302	3/4"			26		
486303	1"			31		
486304	1-1/4"			35		
486305	1-1/2"			39		
486306	2"	7/16"	10	94		
486307	2-1/2"			114		
486308	3"			133		
486309	3-1/2"			BULK	152	
486310	4"				176	
486311	5"				198	
486312	6"				225	
486313	8"				9/16"	300
486314	10"				11/16"	425

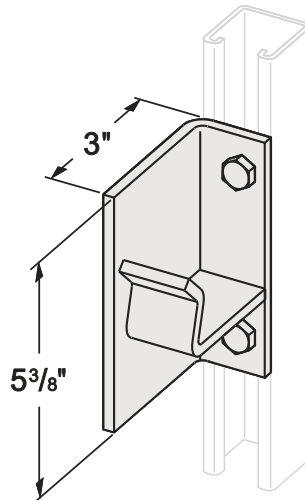
2 HOLE R.H. AXLE SUPPORT FOR 1-1/2" RIGID



4866R

BULK/CTN
225 LBS/100

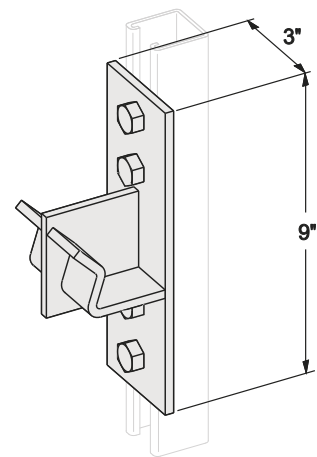
2 HOLE L.H. AXLE SUPPORT FOR 1-1/2" RIGID PIPE



4866L

BULK/CTN
225 LBS/100

3 HOLE DOUBLE AXLE SUPPORT 1-1/2" RIGID PIPE



4867

BULK/CTN
326 LBS/100

STANDARD FINISH - EG

EUGENE FASTENER & SUPPLY CO.
595 WILSON STREET
EUGENE, OR 97402

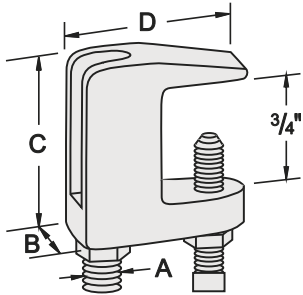


PHONE: 541-342-5978
TOLL FREE: 800-929-5978
FAX: 541-342-1385

10.11

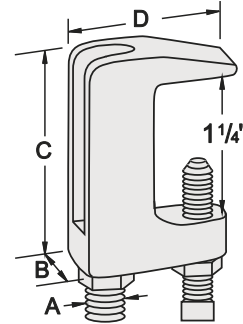
BEAM CLAMPS

UNIVERSAL MALLEABLE BEAM CLAMPS



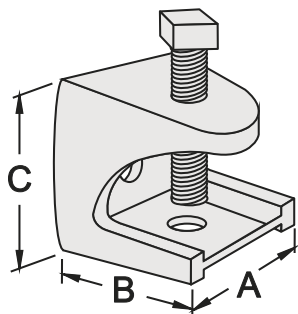
SIZE A	PLAIN	E/G	B	C	D	CTN QTY	WGT /100
3/8	5103-101	5103-201	13/16"	1-5/8"	1-7/8"	100	28
1/2	5104-101	5104-201	1-1/8"	1-3/4"	1-3/4"	100	40
5/8	5105-101	5105-201	1-1/8"	1-7/8"	1-7/8"	50	43
3/4	5106-101	5106-201	1-5/16"	1-7/8"	2-3/8"	50	69
7/8	5107-101	5107-201	1-5/16"	1-7/8"	2-3/8"	25	69

WIDE THROAT MALLEABLE BEAM CLAMPS



SIZE A	PLAIN	E/G	B	C	D	CTN QTY	WGT /100
3/8	5113-101	5113-201	15/16"	2"	1-3/4"	100	37
1/2	5114-101	5114-201	15/16"	2-1/8"	1-3/4"	100	42
5/8	5115-101	5115-201	1-1/4"	2-1/4"	2-3/8"	50	80
3/4	5116-101	5116-201	1-3/8"	2-1/2"	2-1/2"	50	95

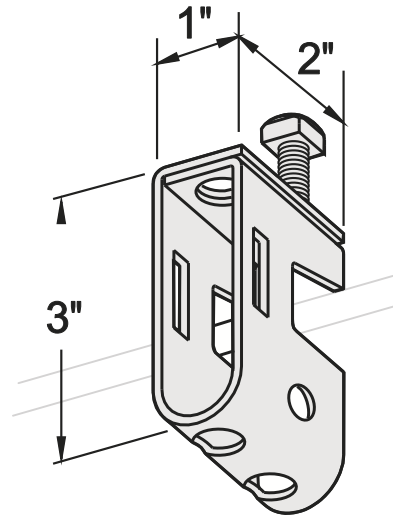
ROD INSULATOR MALLEABLE BEAM CLAMPS E/G



SIZE	MAX. FLANGE
1/4	5/8"
3/8	3/4"
1/2	7/8"

SIZE	E/G	316 SS	A	B	C	CTN. QTY.	WGT /100
1/4	5130-202	5130-802	1-1/8"	1-1/4"	1-3/8"	25	22
3/8	5130-203	5130-803	2"	2"	1-3/4"	10	70
1/2	5130-204	5130-804	2-5/16"	2-1/8"	2-1/8"	10	120

3/4" MAXIMUM FLANGE BEAM CLAMP E/G

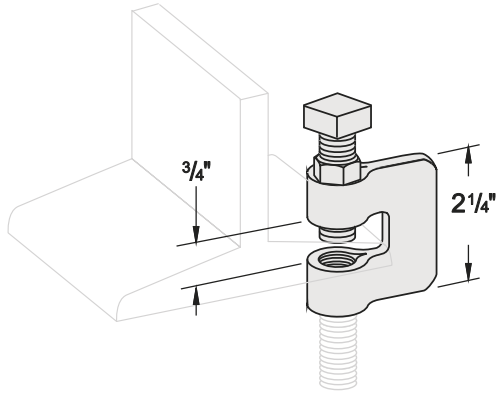


4812

25/CTN
38 LBS/100

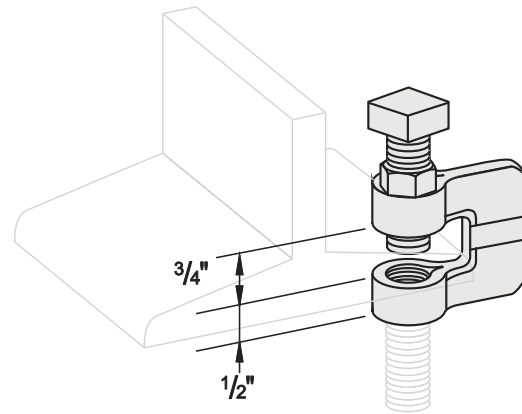
BEAM CLAMPS

STEEL C-CLAMP W/ LOCK NUT



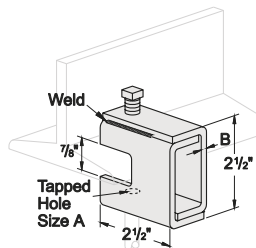
SIZE	PLAIN	E/G	CTN. QTY.	WGT/100
3/8	5203-101	5203-201	100	45
1/2	5204-101	5204-201	100	46
5/8	5205-101	5205-201	50	66
3/4	5206-101	5206-201	50	86
7/8	5207-101	5207-201	25	176

MALLEABLE C-CLAMP



SIZE	PLAIN	E/G	CTN. QTY.	WGT/100
3/8	5213-101	5213-201	100	26
1/2	5214-101	5214-201	100	29
5/8	5215-101	5215-201	50	72
3/4	5216-101	5216-201	50	98

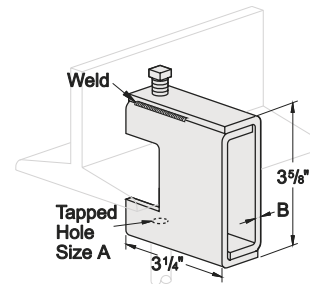
BEAM CLAMPS W/ 7/8" JAW OPENING



ONLY AVAILABLE IN E/G

ROD SIZE (A)	WALL THICKNESS (B)	PART #	CTN. QTY.	WGT/100
1/4	1/8"	4815	10	71
3/8	1/8"	4816	10	72
3/8	3/16"	4817	10	97
1/2	3/16"	4818	10	97
1/2	1/4"	4819	10	131
5/8	1/4"	4820	10	133
5/8	5/16"	4821	10	160
3/4	5/16"	48213	10	160

BEAM CLAMPS W/ 1-21/32" JAW OPENING

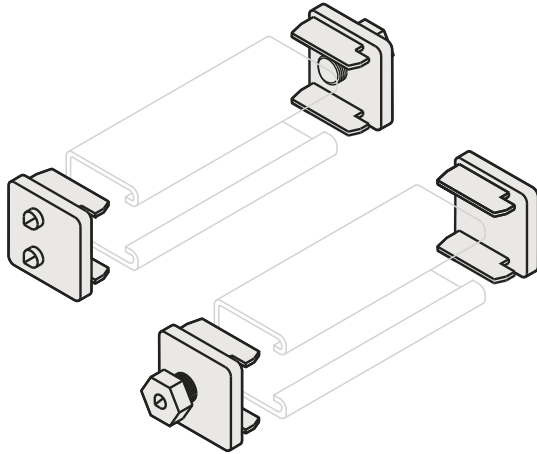


ONLY AVAILABLE IN E/G

ROD SIZE (A)	WALL THICKNESS (B)	PART #	CTN. QTY.	WGT/100
1/4	1/8"	4822	10	113
3/8	1/8"	4823	10	113
3/8	3/16"	4824	10	151
1/2	3/16"	4825	10	151
1/2	1/4"	4826	10	205
5/8	5/16"	48265	10	246

BEAM CLAMPS

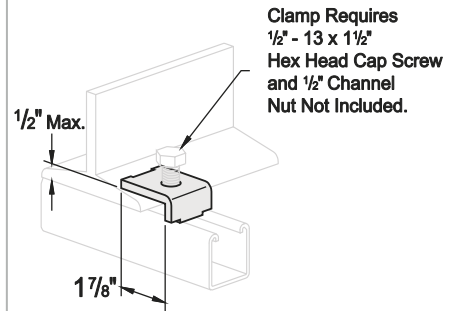
COLUMN CLAMP



4803

25 PAIR/CTN
56 LBS/100

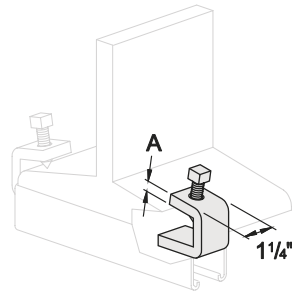
BEAM CLAMP



4804

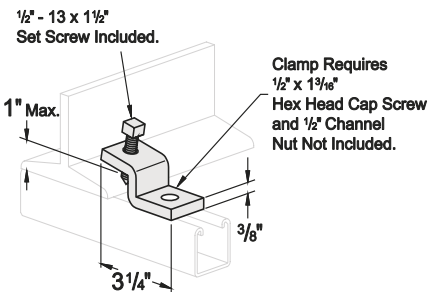
50/CTN
30 LBS/100

BEAM CLAMP FOR FLANGES UP TO 7/8" THICK



CLAMP THICKNESS	SCREW SIZE	PART #	QTY. CTN.	WGT/100
1/4"	3/8-16 X 1-1/2"	4805	50	39
3/8"	1/2-13 X 1-1/2"	4806	25	58

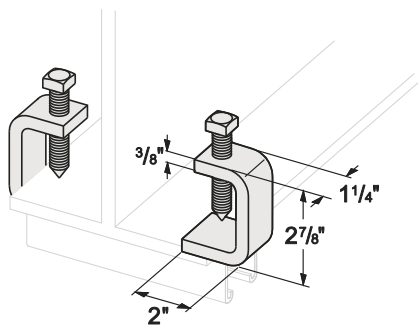
HEAVY DUTY BEAM CLAMP



4809

25/CTN
65 LBS/100

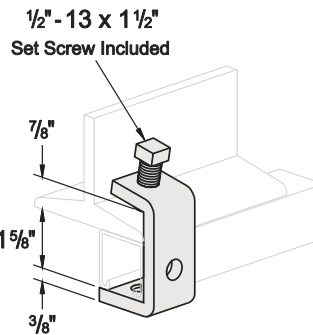
HEAVY DUTY BEAM CLAMP FOR FLANGES 7/8" - 2" THICK



4807

25/CTN
79 LBS/100

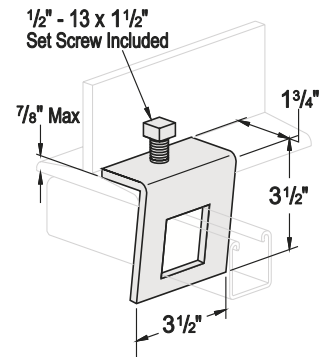
HEAVY DUTY BEAM CLAMP



4808

25/CTN
90 LBS/100

ANGULAR WINDOW BEAM CLAMP



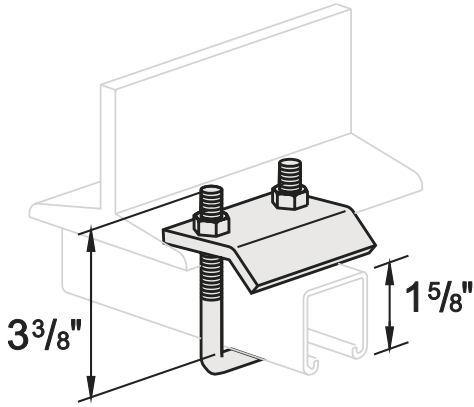
4810

25/CTN
99 LBS/100

STANDARD FINISH - EG

BEAM CLAMPS

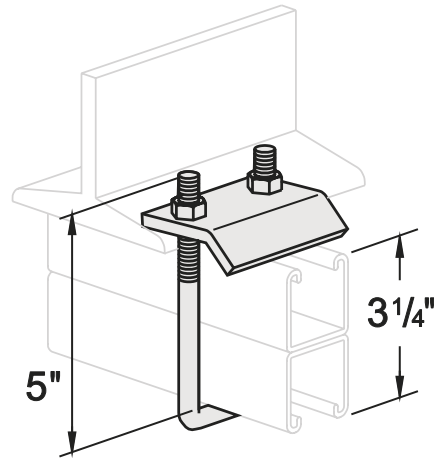
**U-BOLT
BEAM CLAMP**



4828

25/CTN
69 LBS/100

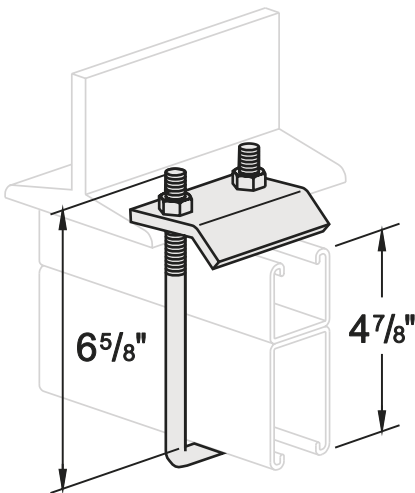
**U-BOLT
BEAM CLAMP**



4829

25/CTN
78 LBS/100

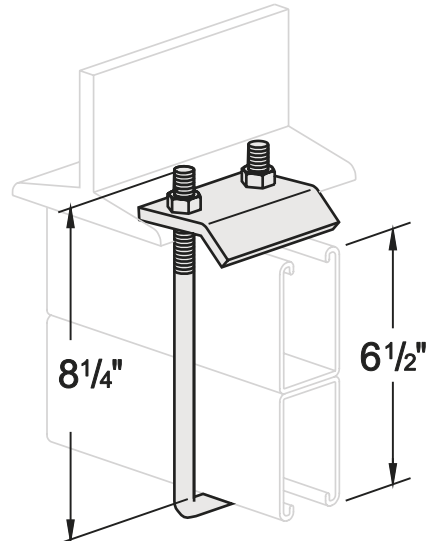
**U-BOLT
BEAM CLAMP**



4830

25/CTN
81 LBS/100

**U-BOLT
BEAM CLAMP**



4831

25/CTN
93 LBS/100

STANDARD FINISH - EG

EUGENE FASTENER & SUPPLY CO.
595 WILSON STREET
EUGENE, OR 97402



PHONE: 541-342-5978
TOLL FREE: 800-929-5978
FAX: 541-342-1385

10.11

45

THREADED ROD

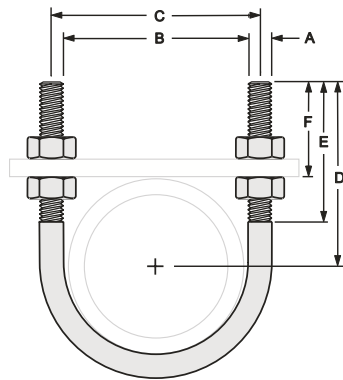


PART #	SIZE		PCS./TUBE	TUBES/BUNDLE	APPROX. WGT. PER		
					PIECE	TUBE	BUNDLE
TR042006	1/4-20	6'	50	40	0.7	36	1440
TR042010		10'	50	25	1.2	60	1500
TR042012		12'	50	25	1.4	72	1800
TR051806	5/16-18	6'	35	40	1.1	39	1596
TR051810		10'	35	25	1.9	66	1662
TR051812		12'	35	25	2.3	79	1995
TR061606	3/8-16	6'	25	40	1.7	43	1740
TR061610		10'	25	25	2.9	72	1812
TR061612		12'	25	25	3.5	87	2175
TR081306	1/2-13	6'	12	40	3.2	38	1526
TR081310		10'	12	25	5.3	63	1590
TR081312		12'	12	25	6.4	76	1908
TR101106	5/8-11	6'	8	40	5.0	39	1593
TR101110		10'	8	25	8.3	66	1660
TR101112		12'	8	25	10.0	79	1992
TR121006	3/4-10	6'	5	40	7.3	36	1464
TR121010		10'	5	25	12.2	61	1525
TR121012		12'	5	25	14.6	73	1830
TR14906	7/8-9	6'	4	40	9.9	39	1584
TR14910		10'	4	25	16.5	66	1650
TR14912		12'	4	25	19.8	79	1980
TR16806	1-8	6'	2	50	13.3	26	1332
TR16810		10'	2	50	22.2	44	2220
TR16812		12'	2	50	26.6	53	2664
TR18706	1-1/8-7	6'	1	10	16.9	16	168
TR18710		10'	1	10	28.1	28	281
TR18712		12'	1	10	33.7	33	337
TR20706	1-1/4-7	6'	1	10	21.0	21	210
TR20710		10'	1	10	35.0	35	350
TR20712		12'	1	10	42.0	42	420

STANDARD FINISH - EG ALSO AVAILABLE: STAINLESS STEEL, B7, & HOT DIPPED GALVANIZED

10.11

U - B O L T S



PART #	PIPE SIZE	ROD SIZE A	B	C	D	E	F	CTN. QTY.	WGT/ 100
5718-104	1/2	1/4"	15/16	1-3/16	2-3/4	2-1/8	2-5/16	100	11.0
5718-106	3/4		1-1/8	1-3/8			2-7/32	100	12.0
5718-110	1		1-3/8	1-5/8			2-3/32	100	12.0
5718-112	1-1/4	3/8"	1-11/16	2-1/16	2-7/8	2-1/2	2-1/32	50	28.0
5718-114	1-1/2		2	2-3/8	3		2-1/16	50	30.0
5718-120	2		2-7/16	2-13/16	3-1/4		50	33.0	
5718-124	2-1/2	1/2"	2-15/16	3-7/16	3-3/4	3	2-5/16	25	73.0
5718-130	3		3-9/16	4-1/16	4		25	78.0	
5718-134	3-1/2		4-1/16	4-9/16	4-1/4		25	84.0	
5718-140	4	5/8"	4-9/16	5-1/16	4-1/2	3-3/4	2-1/4	25	90.0
5718-150	5		5-5/8	6-1/8	5		2-7/32	10	101.0
5718-160	6		6-3/4	7-3/8	6-1/8		10	200.0	
5718-180	8	3/4"	8-3/4	9-3/8	7-1/8	4	2-13/16	10	233.0
5718-1910	10		10-7/8	11-5/8	8-3/8		3	BULK	491.0
5718-1912	12		12-7/8	13-3/4	9-5/8		3-1/4	BULK	773.0
5718-1914	14	7/8"	14-1/8	15	10-1/4	BULK		830.0	
5718-1916	16		16-1/8	17	11-1/4	BULK		920.0	
5718-1918	18	1"	18-1/8	19-1/8	12-5/8	4-1/4	3-5/8	BULK	1350.0
5718-1920	20		20-1/8	21-1/8	13-5/8			BULK	1460.0
5718-1924	24		24-1/8	25-1/8	15-5/8			BULK	1690.0

STANDARD FINISH - PLAIN ALSO AVAILABLE: EG, STAINLESS STEEL, & HOT DIPPED GALVANIZED

10.11

EUGENE FASTENER & SUPPLY CO.
595 WILSON STREET
EUGENE, OR 97402



PHONE: 541-342-5978
TOLL FREE: 800-929-5978
FAX: 541-342-1385

47

THIS PAGE INTENTIONALLY LEFT BLANK



INDEX

P/N	PAGE	P/N	PAGE	P/N	PAGE	P/N	PAGE	P/N	PAGE	P/N	PAGE
4101.....	4	4147EZ.....	5	423516.....	5	4367.....	8	440804.....	9	4489.....	11
4102.....	4	4148.....	4	423520.....	5	4368.....	8	440805.....	9	4490.....	11
4103.....	4	4149.....	4	423524.....	5	4369.....	8	440806.....	9	4491.....	11
4104.....	4	4149EZ.....	5	423616.....	5	4370.....	8	440807.....	9	4492.....	11
4104SS2.....	4	4150.....	4	423620.....	5	4371.....	8	440808.....	9	4493.....	11
4105.....	4	4162.....	4	423624.....	5	4372.....	8	440809.....	9	4494.....	11
4106.....	4	4163.....	4	4301.....	7	4373.....	8	440810.....	9	4495.....	11
4106S2.....	4	4164.....	4	4302.....	7	4374.....	8	440811.....	9	4595.....	35
4107.....	4	4165.....	4	4303.....	7	4375.....	9	440812.....	9	4596.....	35
4108.....	4	4165S2.....	4	4304.....	7	4376.....	9	440813.....	9	4600.....	12
4109.....	4	41655S2.....	4	4305.....	7	4377.....	9	440814.....	9	4601.....	12
4109S2.....	4	4166.....	4	4306.....	7	4378.....	9	440815.....	9	4602.....	12
4110.....	4	4166S2.....	4	4311.....	7	4379.....	9	4409.....	9	4603.....	12
4111.....	4	4167.....	4	4312.....	7	4380.....	9	4411.....	10	4604.....	12
4112.....	4	4168.....	4	4313.....	7	4381.....	9	4412.....	10	4605.....	12
4115.....	4	4168S2.....	4	4314.....	7	4382.....	9	4413.....	10	4606.....	12
4116.....	4	4169.....	4	4315.....	7	4383.....	9	4414.....	10	4607.....	12
4117.....	4	4170.....	4	4316.....	7	4384.....	9	4415.....	10	4608.....	12
4118.....	4	4171.....	4	4322.....	7	4385.....	9	4416.....	10	4609.....	12
4118S2.....	4	4171S2.....	4	4323.....	7	4386.....	9	4417.....	10	4610.....	12
4118SS2.....	4	4172.....	4	4324.....	7	4387.....	9	4418.....	10	4612.....	12
4119.....	4	4172S2.....	4	4325.....	7	4388.....	9	4419.....	10	4614.....	12
4119S2.....	4	4173.....	4	4326.....	7	4389.....	9	4420.....	10	4615.....	12
4120.....	4	4173SS2.....	4	4327.....	7	4390.....	9	4421.....	10	4616.....	12
4121.....	4	4174.....	4	4328.....	7	4391.....	9	4422.....	10	4617.....	12
4121S2.....	4	4175.....	4	4329.....	7	4392.....	9	4423.....	10	4618.....	12
4122.....	4	4175SS2.....	4	4330.....	7	4393.....	9	4424.....	10	4619.....	13
4123.....	4	4176.....	4	4331.....	7	4394.....	9	4430.....	10	4620.....	13
4124.....	4	4176SS2.....	4	4332.....	7	4395.....	9	4431.....	10	4621.....	13
4124S2.....	4	4180.....	5	4333.....	7	4396.....	9	4432.....	10	4622.....	14
4125.....	4	4181.....	5	4334.....	7	4397.....	9	4434.....	10	4623.....	14
4125S2.....	4	4182.....	5	4335.....	7	4398.....	9	4435.....	10	4624.....	12
4126.....	4	4183.....	5	4336.....	7	4399.....	9	4436.....	10	4625.....	13
4126SS2.....	4	4184.....	5	4337.....	7	4400.....	9	4437.....	10	4626.....	14
4127.....	4	4185.....	5	4340.....	8	4401.....	9	4438.....	10	4627.....	13
4127SS2.....	4	4186.....	5	4341.....	8	4402.....	9	4439.....	10	4628.....	13
4128.....	4	4187.....	5	4342.....	8	4403.....	9	4441.....	10	4629.....	14
4128SS2.....	4	41872.....	5	4343.....	8	4404.....	9	4442.....	10	4630.....	14
4130.....	4	41874.....	5	4344.....	8	4405.....	9	4443.....	10	4631.....	14
4131.....	4	4188.....	4	4345.....	8	4406.....	9	4444.....	10	4633.....	14
4132.....	4	4190.....	4	4346.....	8	4407.....	9	4445.....	10	4641.....	15
4133.....	4	4191.....	4	4347.....	8	440701.....	9	4446.....	10	4642.....	15
4133S2.....	4	4192.....	4	4348.....	8	440702.....	9	4447.....	10	4643.....	15
4133SS2.....	4	4193.....	4	4349.....	8	440703.....	9	4448.....	10	4645.....	15
4134.....	4	4195.....	4	4350.....	8	440704.....	9	4449.....	10	4646.....	15
4134S2.....	4	4196.....	4	4351.....	8	440705.....	9	4450.....	10	4647.....	15
4135.....	4	4197.....	4	4352.....	8	440706.....	9	4451.....	10	4648.....	15
4136.....	4	4198.....	4	4353.....	8	440707.....	9	4452.....	10	4649.....	15
4136S2.....	4	4199.....	4	4354.....	8	440708.....	9	4453.....	10	4650.....	16
4137.....	4	4202.....	4	4355.....	8	440709.....	9	4454.....	10	4651.....	16
4138.....	4	4203.....	4	4356.....	8	440710.....	9	4455.....	10	4652.....	15
4139.....	4	4204.....	4	4357.....	8	440711.....	9	4456.....	10	4653.....	16
4139S2.....	4	4205.....	4	4358.....	8	440712.....	9	4458.....	10	4654.....	16
4140.....	4	4208.....	4	4359.....	8	440713.....	9	4481.....	11	4655L.....	16
4142.....	4	4209.....	4	4360.....	8	440714.....	9	4482.....	11	4655R.....	16
4143.....	4	4210.....	4	4361.....	8	440715.....	9	4483.....	11	4657.....	16
4144.....	4	4211.....	4	4362.....	8	440716.....	9	4484.....	11	4658.....	17
4145.....	4	4212.....	4	4363.....	8	4408.....	9	4485.....	11	4659.....	17
4145EZ.....	5	423416.....	5	4364.....	8	440801.....	9	4486.....	11	4660.....	17
4146.....	4	423420.....	5	4365.....	8	440802.....	9	4487.....	11	4661.....	17
4147.....	4	423424.....	5	4366.....	8	440803.....	9	4488.....	11	4662.....	17

INDEX

P/N	PAGE	P/N	PAGE	P/N	PAGE	P/N	PAGE	P/N	PAGE
4663.....	17	47296.....	23	478506L.....	31	479636.....	34	486313.....	41
4664.....	17	4730.....	23	478506R.....	31	4803.....	44	486314.....	41
4665L.....	16	4736L.....	24	478508L.....	31	4804.....	44	4866L.....	41
4665R.....	16	4736R.....	24	478508R.....	31	4805.....	44	4866R.....	41
4666L.....	17	4737L.....	25	478510L.....	31	4806.....	44	4867.....	41
4666R.....	17	4737R.....	25	478510R.....	31	4807.....	44	4869.....	37
467615.....	18	4738.....	26	478512L.....	31	4808.....	44	4870.....	37
467630.....	18	4739.....	26	478512R.....	31	4809.....	44	4871.....	37
467645.....	18	4740.....	24	478514L.....	31	4810.....	44	4872.....	37
467660.....	18	4741L.....	25	478514R.....	31	4815.....	43	4873.....	37
467745.....	18	4741R.....	25	478516L.....	31	4816.....	43	4880-3.....	39
467760.....	18	4742L.....	25	478516R.....	31	4817.....	43	4890.....	39
467845.....	18	4742R.....	25	478518L.....	31	4818.....	43	4891.....	39
467860.....	18	4743.....	26	478518R.....	31	4819.....	43	4892.....	39
467915.....	18	4744.....	26	478520L.....	31	4820.....	43	4893.....	39
467930.....	18	4745.....	26	478520R.....	31	4821.....	43	4894.....	39
467945.....	18	4746.....	26	478522L.....	31	48213.....	43	4895.....	38
467960.....	18	4747.....	26	478522R.....	31	4822.....	43	4896.....	38
467967.....	18	4748.....	26	478524L.....	31	4823.....	43	4897.....	38
467975.....	18	4749.....	26	478524R.....	31	4824.....	43	4898.....	38
4681.....	19	4750L.....	27	478526L.....	31	4825.....	43	4899.....	38
46823.....	19	4750R.....	27	478526R.....	31	4826.....	43	4900.....	38
46824.....	19	4751.....	27	478528L.....	31	4828.....	45	4901.....	38
46825.....	19	4752.....	27	478528R.....	31	4829.....	45	4902.....	38
46826.....	19	4753.....	27	478530L.....	31	4830.....	45	4905.....	40
4683.....	19	4754.....	27	478530R.....	31	4831.....	45	4906.....	40
4684.....	19	4755L.....	24	478606.....	32	4841.....	35	4907.....	40
4685.....	19	4755R.....	24	478612.....	32	4842.....	35	4908.....	40
4696.....	20	4756L.....	25	478618.....	32	4843.....	35	4910.....	40
4697.....	20	4756R.....	25	478624.....	32	4844.....	35	4911.....	40
4698.....	20	4757.....	24	478706.....	32	4845.....	35	4912.....	40
4699.....	20	4766.....	29	478712.....	32	4853F.....	35	4930.....	5
4700.....	20	4767.....	28	478806.....	32	4853FF.....	35	5103.....	42
4701.....	20	4768.....	28	478812.....	32	4853M.....	35	5104.....	42
4702.....	20	4769.....	28	478918.....	32	4853MF.....	35	5105.....	42
4703.....	20	4770.....	28	478924.....	32	4854F.....	35	5106.....	42
4704.....	20	4771.....	28	479006.....	33	4854FF.....	35	5107.....	42
47046.....	21	4772.....	28	479012.....	33	4854M.....	35	5113.....	42
4705.....	21	4773.....	28	479018.....	33	4854MF.....	35	5114.....	42
4706.....	21	4774.....	28	479024.....	33	4857.....	5	5115.....	42
4707.....	21	4775.....	29	479112.....	33	4858.....	36	5116.....	42
47084-5.....	21	4776.....	29	479118.....	33	485903.....	36	5130.....	42
47092.....	21	4777.....	29	479124.....	33	485904.....	36	5203.....	43
47093.....	21	4778.....	29	479130.....	33	485906.....	36	5204.....	43
47095.....	21	478136.....	30	479136.....	33	485908.....	36	5205.....	43
47096.....	21	478142.....	30	479142.....	33	485910.....	36	5206.....	43
47097.....	21	478148.....	30	479224.....	33	485912.....	36	5207.....	43
47102.....	23	478154.....	30	479230.....	33	4860.....	36	5213.....	43
4713.....	22	478160.....	30	479236.....	33	4861.....	36	5214.....	43
4714.....	22	478172.....	30	479242.....	33	486301.....	41	5215.....	43
4715.....	22	478312.....	30	479248.....	33	486302.....	41	5216.....	43
4716.....	22	478316.....	30	479306.....	33	486303.....	41	5718-104 THRU	
4717.....	22	478318.....	30	479312.....	33	486304.....	41	5718-1924.....	47
4718.....	22	478324.....	30	479318.....	33	486305.....	41	5780.....	11
4721.....	23	478408.....	31	479324.....	33	486306.....	41	5781.....	11
4722.....	23	478410.....	31	4794.....	34	486307.....	41	TR042006-	
4723.....	23	478412.....	31	4795.....	34	486308.....	41	TR20712.....	46
4724.....	23	478414.....	31	479612.....	34	486309.....	41		
4725.....	23	478416.....	31	479618.....	34	486310.....	41		
4726.....	23	478418.....	31	479624.....	34	486311.....	41		
4727.....	23	478420.....	31	479630.....	34	486312.....	41		